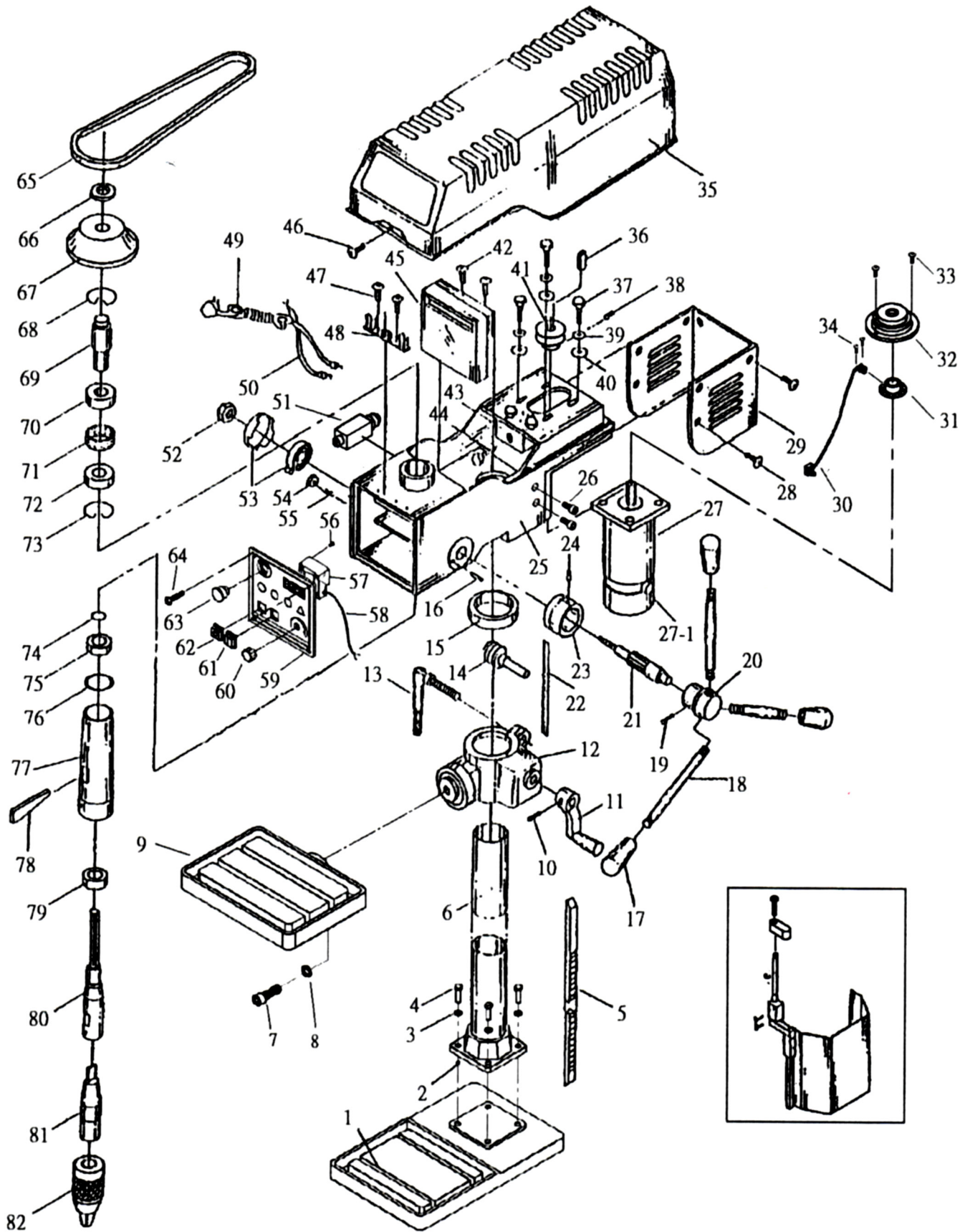


501085

PARTS BREAKDOWN



501085 Parts List

Item Code	Alternate Code	Extended Description
511140	501085-9	Work Table To Suit 501085 Drill Press Item # 9
511142	501085-13	Clamp Bolt To Suit 501085 Drill Press Item # 13
511143	501085-14	Worm & Worm Gear To Suit 501085 Drill Press Item # 14
511144	501085-27	Motor To Suit 501085 Drill Press Item # 27
511145	501085-27	Carbon Brushes To Suit 501085 Drill Press Item # 27-1
511146	501085-30	Sensor, RPM To Suit 501085 Drill Press Item # 30
511147	501085-31	Rotor To Suit 501085 Drill Press Item # 31
511148	501085-41	Motor Pulley To Suit 501085 Drill Press Item # 41
511149	501085-45	Control Box Set To Suit 501085 Drill Press Item # 45
511150	501085-57	Digital Display Cover To Suit 501085 Drill Press Item # 57
511151	501085-60	Knob To Suit 501085 Drill Press Item # 60
511152	501085-61	Switch I To Suit 501085 Drill Press Item # 61 Green
511153	501085-62	Switch O To Suit 501085 Drill Press Item # 62 Red
511154	501085-63	Emergency Switch To Suit 501085 Drill Press Item # 63
511155	501085-65	V Belt To Suit 501085 Drill Press Item # 65 A39
511156	501085-67	Spindle Pulley To Suit 501085 Drill Press Item # 67
511157	501085-69	Drive Taper To Suit 501085 Drill Press Item # 69
511158	501085-77	Quill To Suit 501085 Drill Press Item # 77
511159	501085-80	Spindle To Suit 501085 Drill Press Item # 80
511160	501085-81	Morse Taper Arbor NO2 To Suit 501085 Drill Press Item # 81
511161	501085-30	Keyless Chuck 5/8" Heavy Duty To Suit 501085 Drill Press Item # 30

1 Base
2 Flange
3 Washer
4 Screw
5 Rack
6 Column
7 Screw
8 Washer
9 Work table
10 Set screw
11 Shafting rod
12 Table bracket
13 Clamp bolt
14 Worm and worm gear
15 Rack collar
15-1 Set screw
16 Stop pin
17 Knob
18 Handle
19 Stop pin
20 Handle body
21 Feed pinion
22 Scale
23 Scale sleeve
24 Thumb screw
25 Head
26 Set screw
27 Motor
27-1 Carbon brushes

28 Screw
29 Motor cover
30 Sensor, RPM
31 Rotor
32 Cover
33 Screw
34 Screw
35 Pulley cover
36 Pin
37 Screw
38 Set screw
39 Washer
40 Washer
41 Motor pulley
42 Screw
43 Adjusting bracket
44 Screw
45 Control box set
46 Screw
47 Screw
48 Knob
49 Power cord
50 Cord
51 Chuck guard circuit-
breaker switch
52 Nylon nut
53 Spring cover
54 Nut
55 Screw
56 Screw

57 Digital display unit
58 Cable
59 Switch plate
60 Knob
61 Switch I
62 Switch O
63 Emergency switch
64 Screw
65 V-belt
66 Nut
67 Spindle pulley
68 Retaining ring
69 Drive taper
70 Ball bearing
71 Ball spacer
72 Ball bearing
73 Retaining ring
74 Retaining ring
75 Ball bearing
76 Rubber washer
77 Quill
78 Wedge
79 Ball bearing
80 Spindle
81 #2 Morse taper arbor
82 Chuck
Chuck guard