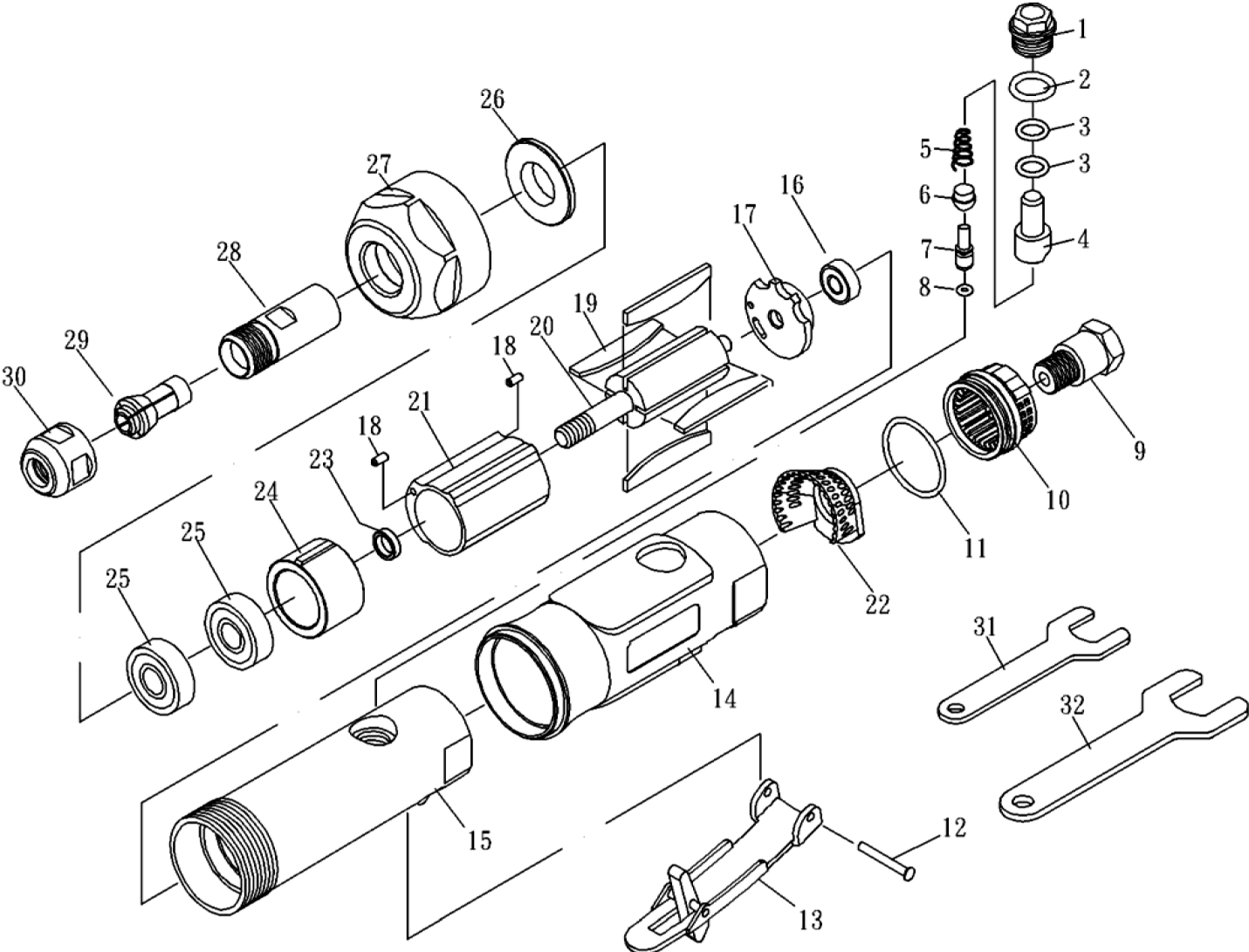


530500

PARTS BREAKDOWN



| Item Code | Alternate Code | Extended Description                           |
|-----------|----------------|--|
| 537076    | 530500-33      | Air Prof Die Grinder 1/4" Collet Nut 530500-33 |

**AT-R7033**

| NO | PARTS NO | DESCRIPTION        | Q'TY | NO | PARTS NO   | DESCRIPTION         | Q'TY |
|----|----------|--------------------|------|----|------------|---------------------|------|
| 01 | 70001    | SCREW              | 1    | 17 | ST70017    | REAR PLATE          | 1    |
| 02 | 70002    | O-RING(P12)        | 1    | 18 | 70018      | PIN                 | 2    |
| 03 | 70003    | O-RING(P8)         | 2    | 19 | 20019      | ROTOR BLADE         | 4    |
| 04 | 70004    | AIR REGULATOR      | 1    | 20 | ST288321   | ROTOR               | 1    |
| 05 | 50332    | SPRING             | 1    | 21 | ST70021    | CYLINDER            | 1    |
| 06 | 70429    | VALVE STEM BUSHING | 1    | 22 | 70022A     | CONE MUFFLER        | 1    |
| 07 | 70007    | VALVE STEM         | 1    | 23 | 20022      | BEARING SPACER      | 1    |
| 08 | OB-04    | O-RING(3.5*1.4)    | 1    | 24 | ST21023    | FRONT PLATE         | 1    |
| 09 | 70009    | AIR INLET          | 1    | 25 | 21024      | BEARING(608ZZ)      | 2    |
| 10 | 70010    | EXHAUST SLEEVE     | 1    | 26 | 20025      | WASHER              | 1    |
| 11 | 70011    | O-RING(26.7*1.78)  | 1    | 27 | ST20026    | CLAMP NUT           | 1    |
| 12 | 70432    | SPRING PIN         | 1    | 28 | 20027      | SPINDLE             | 1    |
| 13 | ST80509  | LEVER              | 1    | 29 | 21036      | COLLET              | 1    |
| 14 | 70014    | PROTECTING RUBBER  | 1    | 30 | 21037      | COLLET NUT          | 1    |
| 15 | ST21015  | HOUSING            | 1    | 31 | BT21038-14 | STOP SPANNER (14MM) | 1    |
| 16 | 20312    | BEARING(696ZZ)     | 1    | 32 | BT21039-19 | STOP SPANNER (19MM) | 1    |