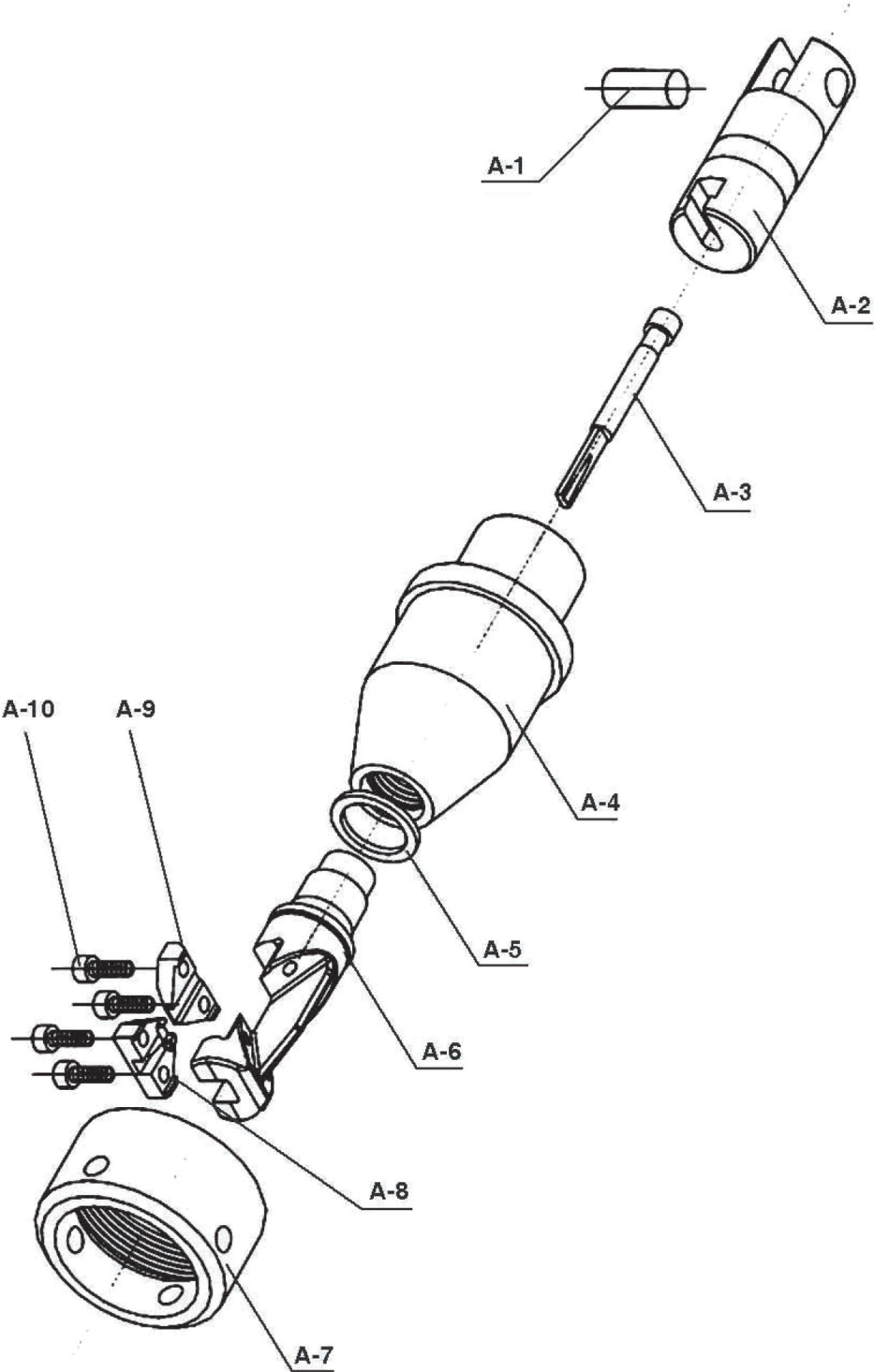
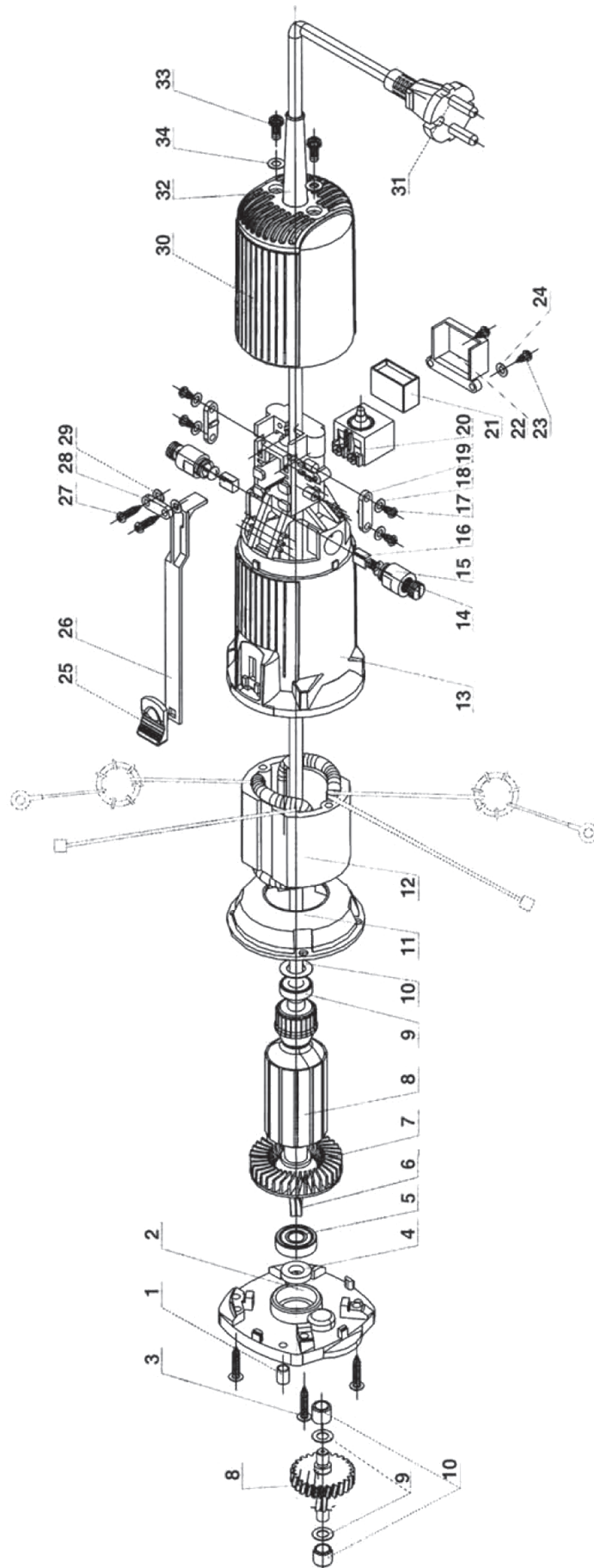


596702

PARTS BREAKDOWN

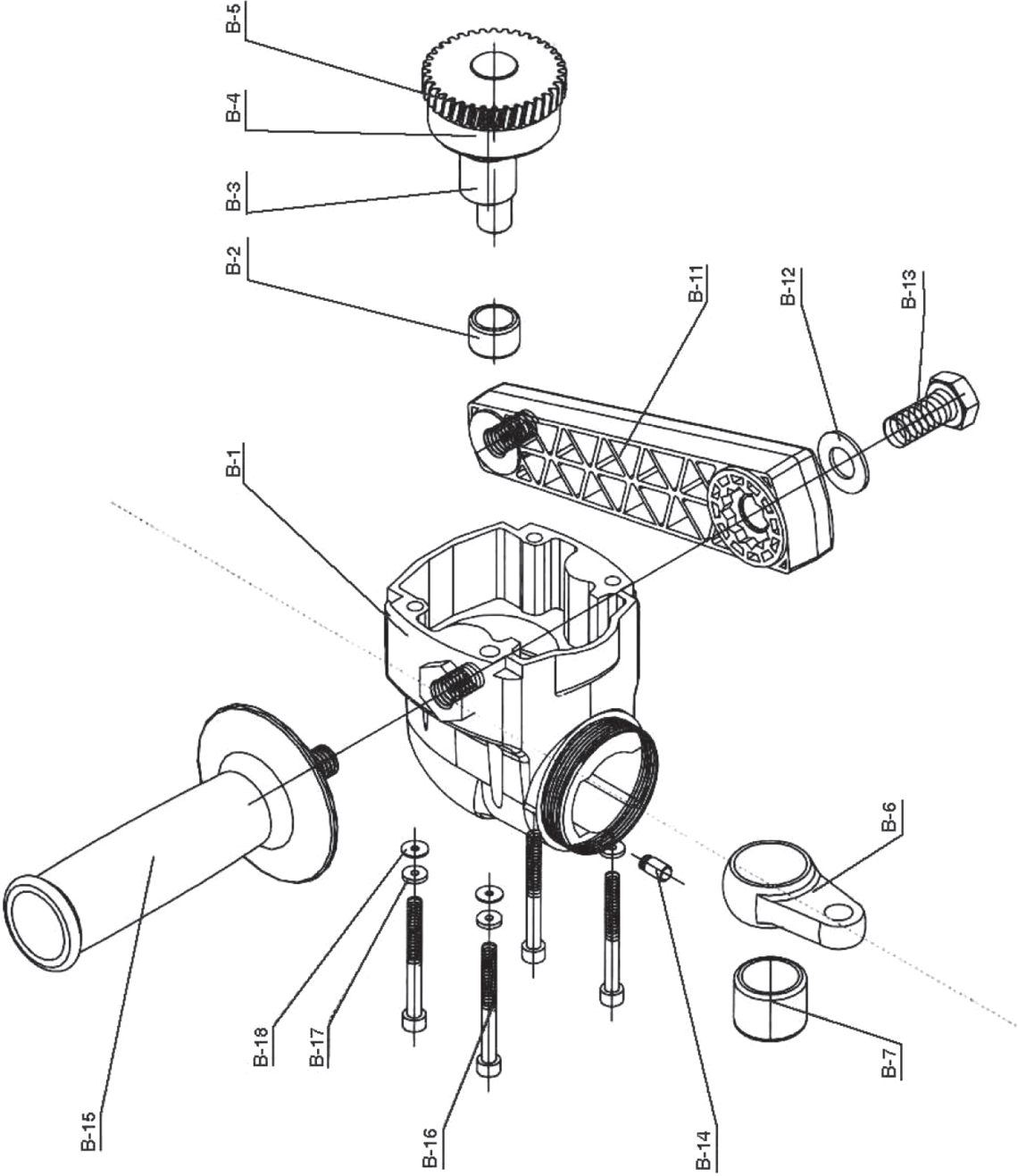


594486 PARTS BREAKDOWN



594486

PARTS BREAKDOWN



Item Code	Alternate Code	Extended Description
596907	596702-A3-A10	Square Punch & Die Assembly Includes 2 X Punches & 1 X Die to Suit 596702 4.0MM Nibbler
596942	596702-33	Screw M5 X 12MM Suit 596701 596702 2.5MM & 4.0MM Toolex Nibblers
596943	596702-34	Flat Washer 5B Suit 596701 596702 2.5MM & 4.0MM Toolex Nibblers
596944	596702-32	Bushing Suit 596701 596702 2.5MM & 4.0MM Toolex Nibblers
596945	596702-30	Motor Housing Rear Cover Suit 596701 596702 2.5MM & 4.0MM Toolex Nibblers
596946	596702-29	Flat Washer 4B Suit 596701 596702 2.5MM & 4.0MM Toolex Nibblers
596947	596702-28	Pressure Lines Suit 596701 596702 2.5MM & 4.0MM Toolex Nibblers
596948	596702-27	PH Self Tapping Screws Suit 596701 596702 2.5MM & 4.0MM Toolex Nibblers
596949	596702-26	Switch Bar Arm Suit 596701 596702 2.5MM & 4.0MM Toolex Nibblers
596950	596702-25	Switch Control Button Suit 596701 596702 2.5MM & 4.0MM Toolex Nibblers
596951	596702-24	Flat Washer 4B Suit 596701 596702 2.5MM & 4.0MM Toolex Nibblers
596953	596702-22	Capacitor Cover Suit 596701 596702 2.5MM & 4.0MM Toolex Nibblers
596955	596702-21	Capacitors To Suit 596701 596702 2.5MM & 4.0MM Toolex Nibblers
596956	596702-20	Switch Suit 596701 596702 2.5MM & 4.0MM Toolex Nibblers
596957	596702-19	Pressure Lines Suit 596701 596702 2.5MM & 4.0MM Toolex Nibblers
596958	596702-18	Flat Washer 4B Suit 596701 596702 2.5MM & 4.0MM Toolex Nibblers
596959	596702-17	PH Self Tapping Screws 3.7 X 15MM Suit 596701 596702 2.5MM & 4.0MM Toolex Nibblers
596960	596702-16	Carbon Brushes Pair Suit 596701 596702 2.5MM & 4.0MM Toolex Nibblers
596961	596702-15	Carbon Brush Frame Suit 596701 596702 2.5MM & 4.0MM Toolex Nibblers
596962	596702-14	Carbon Brush Adjustment Screw Suit 596701 596702 2.5MM & 4.0MM Toolex Nibblers
596963	596702-13	Motor Housing Suit 596701 596702 2.5MM & 4.0MM Toolex Nibblers
596964	596702-12	Stator Suit 596701 596702 2.5MM & 4.0MM Toolex Nibblers
596965	596702-11	Choke Cover Suit 596701 596702 2.5MM & 4.0MM Toolex Nibblers
596966	596702-10	Anti Oil Ring Suit 596701 596702 2.5MM & 4.0MM Toolex Nibblers
596967	596702-9	Armature With Bearings & Fan Suit 596701 596702 2.5MM & 4.0MM Toolex Nibblers
596968	596702-6	Output Shaft Helical Gear Z4 Suit 596701 596702 2.5MM & 4.0MM Toolex Nibblers
596969	596702-4	Plastic Ring Suit 596701 596702 2.5MM & 4.0MM Toolex Nibblers
596970	596702-2	Motor Side Housing Suit 596701 596702 2.5MM & 4.0MM Toolex Nibblers
596971	596702-1	Shell Orientation Sets Suit 596701 596702 2.5MM & 4.0MM Toolex Nibblers
596972	596702-3	PH Self Tapping Screw 4 X 20MM Suit 596701 596702 2.5MM & 4.0MM Toolex Nibblers
596973	596702-8	Double L Pinion Z3 Suit 596701 596702 2.5MM & 4.0MM Toolex Nibblers
596974	596702-9	Flat Washer 7B Suit 596701 596702 2.5MM & 4.0MM Toolex Nibblers
596975	596702-10-2	Needle Roller Bearing HK0709B Suit 596701 596702 2.5MM & 4.0MM Toolex Nibblers
596976	596702-B5	Helical Gear Z2 Suit 596701 596702 2.5MM & 4.0MM Toolex Nibblers
596977	596702-B4	Bearing 6303-ZE Suit 596701 596702 2.5MM & 4.0MM Toolex Nibblers

596978	596702-B3	Eccentric Shaft Suit 596701 596702 2.5MM & 4.0MM Toolex Nibblers
596979	596702-B2	Needle Roller Bearing HK1212 B Suit 596701 596702 2.5MM & 4.0MM Toolex Nibblers
596980	596702-B12	Flat Washer 12B Suit 596701 596702 2.5MM & 4.0MM Toolex Nibblers
596981	596702-B13	Bolt M12 X 25MM Suit 596701 596702 2.5MM & 4.0MM Toolex Nibblers
596982	596702-B11	Auxilliary Side Handle Suit 596701 596702 2.5MM & 4.0MM Toolex Nibblers
596983	596702-B1	Gear Housing Suit 596701 596702 2.5MM & 4.0MM Toolex Nibblers
596984	596702-B6	Connecting Bar Suit 596701 596702 2.5MM & 4.0MM Toolex Nibblers
596985	596702-B7	Needle Roller Bearing HK2020B Suit 596701 596702 2.5MM & 4.0MM Toolex Nibblers
596986	596702-B14	Piston Pin Block Suit 596701 596702 2.5MM & 4.0MM Toolex Nibblers
596987	596702-B18	Flat Washer 5B Suit 596701 596702 2.5MM & 4.0MM Toolex Nibblers
596988	596702-B17	Spring Washer 5MM Suit 596701 596702 2.5MM & 4.0MM Toolex Nibblers
596989	596702-B16	Socket Head Cap Screw M5X50MM Suit 2.5MM 596701 596702 & 4.0MM Toolex Nibblers
596991	596702-B15	Fixed Handle Suit 596701 596702 2.5MM & 4.0MM Toolex Nibblers
596992	596702-A1	Piston Pin Suit 596701 596702 2.5MM & 4.0MM Toolex Nibblers
596993	596702-A2	Piston Suit 596701 596702 2.5MM & 4.0MM Toolex Nibblers
596994	596702-A4	Piston Seat Suit 596701 596702 2.5MM & 4.0MM Toolex Nibblers
596995	596702-A5	Copper Washers Suit 596701 596702 2.5MM & 4.0MM Toolex Nibblers
596996	596702-A7	Large Die Holding Nut Suit 596701 596702 2.5MM & 4.0MM Toolex Nibblers
597868	596702-A10	M5X14 Hexagon Screw Suit 596702 Heavy Duty 4.0mm Nibbler Cutte Body Assembly