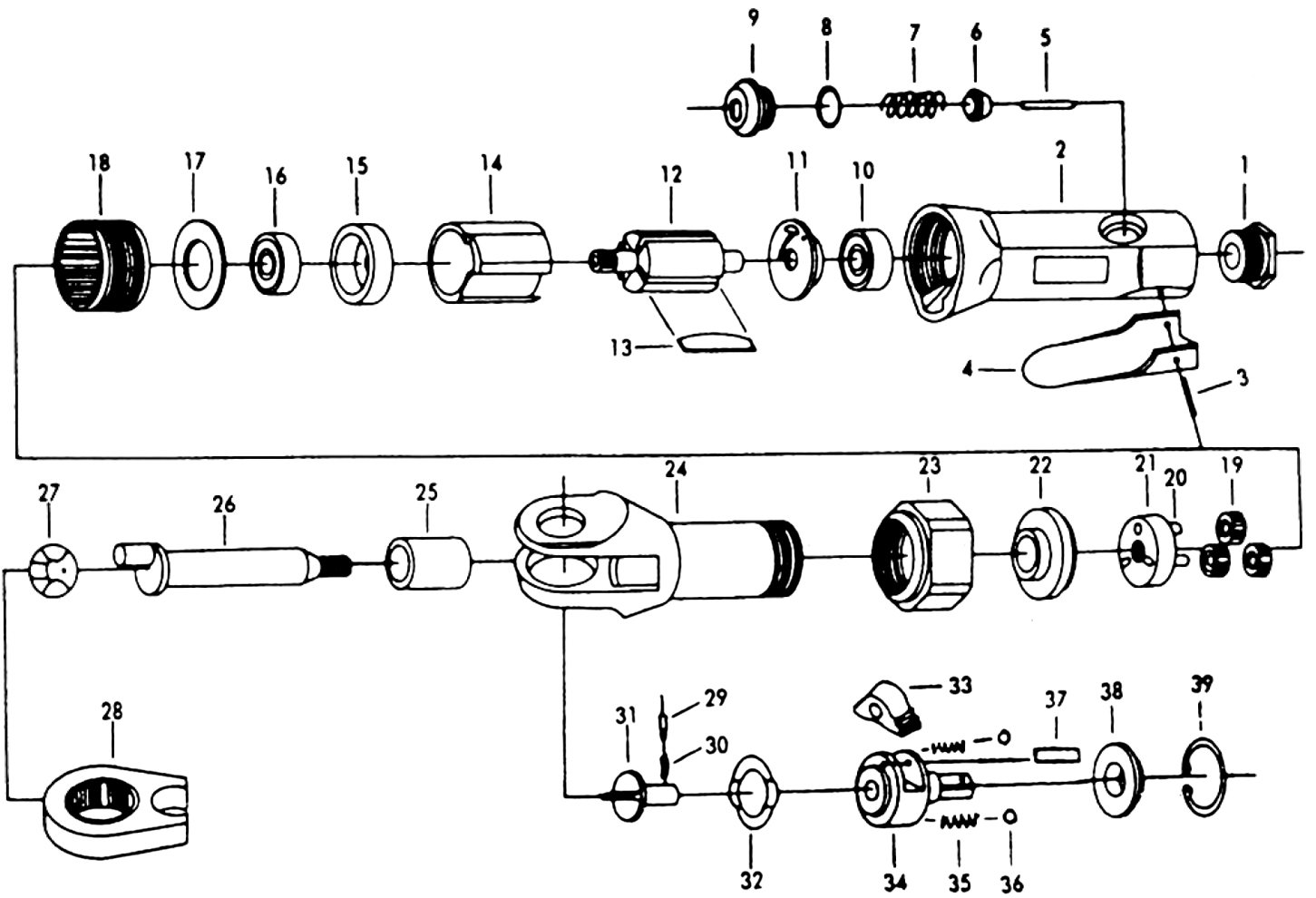


534340

PARTS BREAKDOWN



Component	Item Description
524907	Air Wrench 3/8" Valve Plug 534339-9 YI-103-09 also 534340
531947	Air Wrench Rat 1/2"-Spring 534340
531948	Air Wrench Rat 1/2"-Steel Ball 534340
531933	Air Wrench Rat 1/2"-Rotor 534340
531934	Air Wrench Rat 1/2"-Idler Gear 534340
531935	Air Wrench Rat 1/2"-Vane Set 534340
531936	Air Wrench Rat 1/2"-Ring Gear 534340
531937	Air Wrench Rat 1/2"-Housing 534340
531938	Air Wrench Rat 1/2"-Roll Pin 534340
531939	Air Wrench Rat 1/2"-Valve 534340
531940	Air Wrench Rat 1/2"-Air Inlet 534340
531941	Air Wrench Rat 1/2"-R End Plat 534340
531942	Air Wrench Rat 1/2"-F End Plat 534340
531943	Air Wrench Rat 1/2"-Rat Housin 534340
531944	Air Wrench Rat 1/2"-Lock Pin 534340
531945	Air Wrench Rat 1/2"-Spring 534340
531946	Air Wrench Rat 1/2"-Rat Pawl 534340
534626	R/Wrench 1/2"Ratchet Anvil 534340
534626X	R/Wrench 1/2"Ratchet Anvil 534340
536676	Air Wrench Ratchet-Crank ShAFt 534340
536677	Air Wrench Ratchet-Drive Bush 534340
536678	Air Wrench Ratchet-Yoke 534340

PART LIST OF AT-5053

Ret.#	PARTS NO	DESCRIPTION	Q'TY	NO	PARTS NO	DESCRIPTION	Q'TY
1	PY5053-01	Air Inlet	1	21	PY5053-21	Idler gear plate	1
2	PY5053-02	Housing	1	22	PY5053-22	Spacer	1
3	PY5053-03	Roll pin	1	23	PY5053-23	Clamp nut	1
4	PY5053-04	Throttle lever	1	24	PY5053-24	Ratchet Housing	1
5	PY5053-05	Valve pin	1	25	PY5053-25	Spacer	1
6	PY5053-06	Valve	1	26	PY5053-26	Crank shaft	1
7	PY5053-07	Spring	1	27	PY5053-27	Drive bushing	1
8	PY5053-08	O-Ring	1	28	PY5053-28	Yoke	1
9	PY5053-09	Value plug	1	29	PY5053-29	Lock pin	1
10	PY5053-10	Ball bearing	1	30	PY5053-30	Spring	1
11	PY5053-11	Rear end plate	1	31	PY5053-31	Reverse button	1
12	PY5053-12	Rotor	1	32	PY5053-32	Wave Washer	1
13	PY5053-13	Vanes	5	33	PY5053-33	Ratchet pawl	1
14	PY5053-14	Cylinder	1	34	PY5053-34	Ratchet anvil	1
15	PY5053-15	Front end plate	1	35	PY5053-35	Spring	2
16	PY5053-16	Bearing	1	36	PY5053-36	Steel Ball	2
17	PY5053-17	Washer	1	37	PY5053-37	Pin	1
18	PY5053-18	Thread ring gear	1	38	PY5053-38	Thrust washer	1
19	PY5053-19	Idler gear	3	39	PY5053-39	Retainer ring	1
20	PY5053-20	Idler gear pin	3				

Made in Taiwan