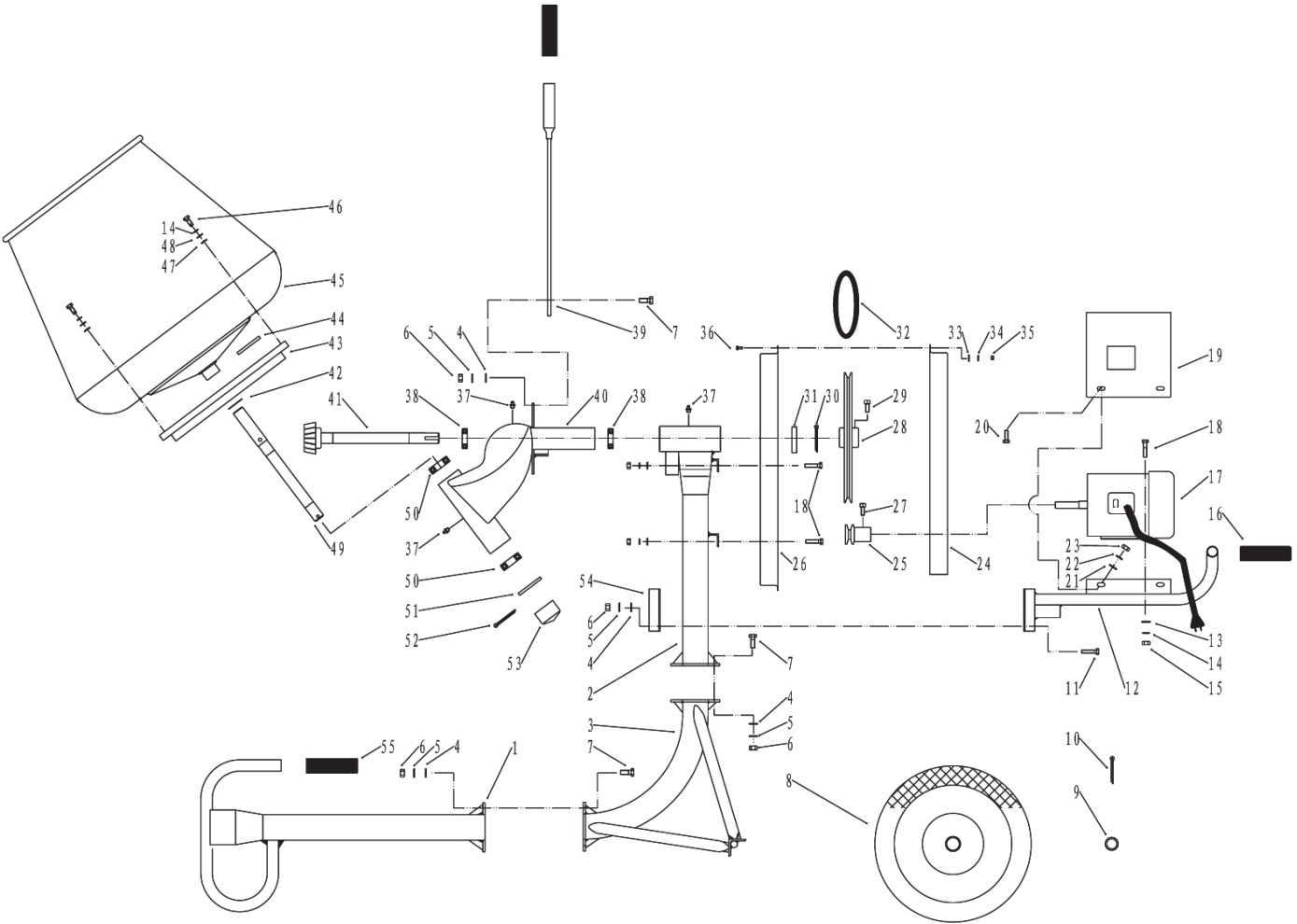


511181 PARTS BREAKDOWN



Component	Item Description
500469	Pulley Inside Cover To Suit 511181 Concrete Mixer
532895	Wheel Pn 14"X8"R Metal 16mm Bore suit 511181
500467	Pulley Outer Cover To Suit 511181 Concrete Mixer
500475	Motor Switch Assembly To Suit 511181 Concrete Mixer
500474	Gear Shaft Embelliform To Suit 511181 Concrete Mixer
500466	Motor Cover To Suit 511181 Concrete Mixer
500470	Belt Pulley To Suit 511181 Concrete Mixer
500471	V Belt Suit 511181 Concrete Mixer A1168
500473	Handle To Suit 511181 Concrete Mixer
500468	Motor Pulley To Suit 511181 Concrete Mixer
500472	Oil Cup Grease To Suit 511181 Concrete Mixer
500464	Puncture Proof Wheel 14" To Suit 511181 Concrete Mixer
500465	Motor Electric 450W Heavy Duty To Suit 511181 Concrete Mixer

NO.	Name	DESCRIPTION	QUANTITY
1	Floor support assembly		1
2	Vertical support assmebly		1
3	wheel axle		1
4	flat washer	_10	16
5	spring washer	_10	16
6	hex nut	M10	16
7	hex bolt	M10*25	12
8	wheel	3.25-8	2
9	wheel stop washer	_16	2
10	split pin	_3*30	2
11	hex bolt	M10*35	4
12	motor stand		1
13	flat washer	_8	16
14	spring washer	_8	14
15	hex nut	M8	8
16	handle cover		4
17	motor		1
18	hex bolt	M8*20	8
19	motor cover		1
20	hex bolt	M6*20	4
21	flat washer	_6	8
22	spring washer	_6	4
23	hex nut	M6	4
24	pulley outer cover		1
25	motor pulley		1
26	pulley inside cover		1
27	hex bolt	M8*20	1
28	belt pulley		1
29	hex bolt	M8*20	2
30	split pin	_5*35	1
31	stop washer		1
32	belt	A 1150	1
33	flat washer	_5	7
34	spring washer	_5	7
35	hex nut	M5	7
36	cross head bolt	M5*12	7
37	oil cup		3
38	bearing	6005-2RS	2
39	handle		2
40	drum support assembly		1
41	umbelliform gear shaft		1
42	adjust washer		1
43	gear ring		1
44	spring iron pin	_8*40	1
45	drum assembly		1
46	hex bolt	M8*20	6
47	leather gasket		6
48	flat washer	_8	6
49	drum shaft		1
50	bearing	6205-2RS	2
51	stop washer		1
52	split pin	_6*35	1
53	dust proof cap		1
54	lock plate		1
55	handle cover		1