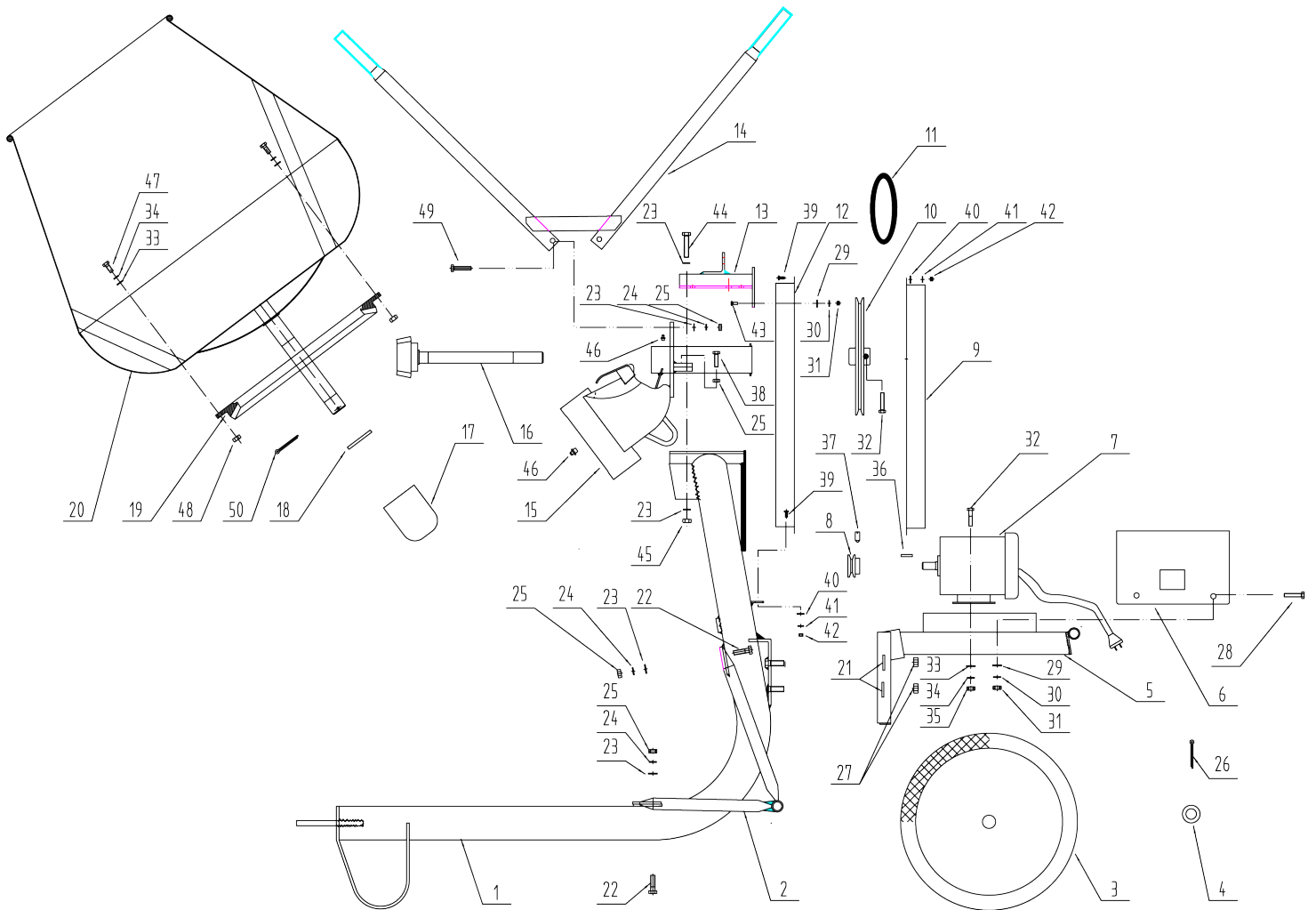


511165 PARTS BREAKDOWN



Component	Item Description
500492	Shaft Complete & Gear Assembly To Suit 511163, 511165 & 511182
500495	V Belt A Section To Suit 511165 Concrete Mixer
500496	Pulley Cover Inner To Suit 511165 Concrete Mixer
500493	Motor Pulley Assembly To Suit 511165 Concrete Mixer
500481	Wheel Flat Free Puncture Proof To Suit 511163 & 511165 Concret Mixer
500494	Main Pulley To Suit 511165 Concrete Mixer
500491	Handle To Suit 511163, 511165 & 511182 Concrete Mixer

No.	Description	Quantity
1	Main Frame Assembly	1
2	Wheel Stand Assembly	1
3	Wheel	2
4	stop Washer	2
5	Motor Stand Assembly	1
6	Motor Cover	1
7	Motor Assembly	1
8	Motor Pulley	1
9	Pulley Cover / Outer	1
10	Pulley	1
11	Belt A type 1346mm	1
12	Pulley Cover / Inner	1
13	Shaft Cover / upper	1
14	Handle	1
15	Drum Support Assembly	1
16	Transmission Shaft and Gear Assembly	1
17	Cover	1
18	Adjust Washer	4
19	Drum Gear	1
20	Drum and Shaft Assembly	1
21	Lock Plate	2
22	Hex Nut M10 x 30	4
23	Flat Washer 10mm	14
24	Spring Washer 10mm	6
25	Hex Nut M10	7
26	Split Pin 5 x 40	2
27	Hex Selflock Nut M12	2
28	Hex Bolt M6 x 20	4
29	Flat Washer 6mm	6
30	Spring Washer 6mm	6
31	Hex Nut M6	6
32	Hex Bolt M8 x 25	6
33	Flat Washer 8mm	16
34	Spring Washer 8mm	12
35	Hex Nut M8	4
36	Flat Key 5 x 35	1
37	Inner Hex Lock Pin M8x10	1
38	Hex Bolt M10 x 50	1
39	Cross Head Bolt M5 x12	8
40	Flat Washer 5mm	8
41	Spring Washer 5mm	8
42	Hex Nut M5	8
43	Hex Bolt M6 x16	2
44	Hex Bolt M10 x 25	4
45	Hex Selflock Nut M10	4
46	Oil Cup	2
47	Hex Bolt M8x20	8
48	Hex Selflock Nut M8	8
49	Hex Bolt M10 x 30	2
50	Split Pin 6 x 45	1