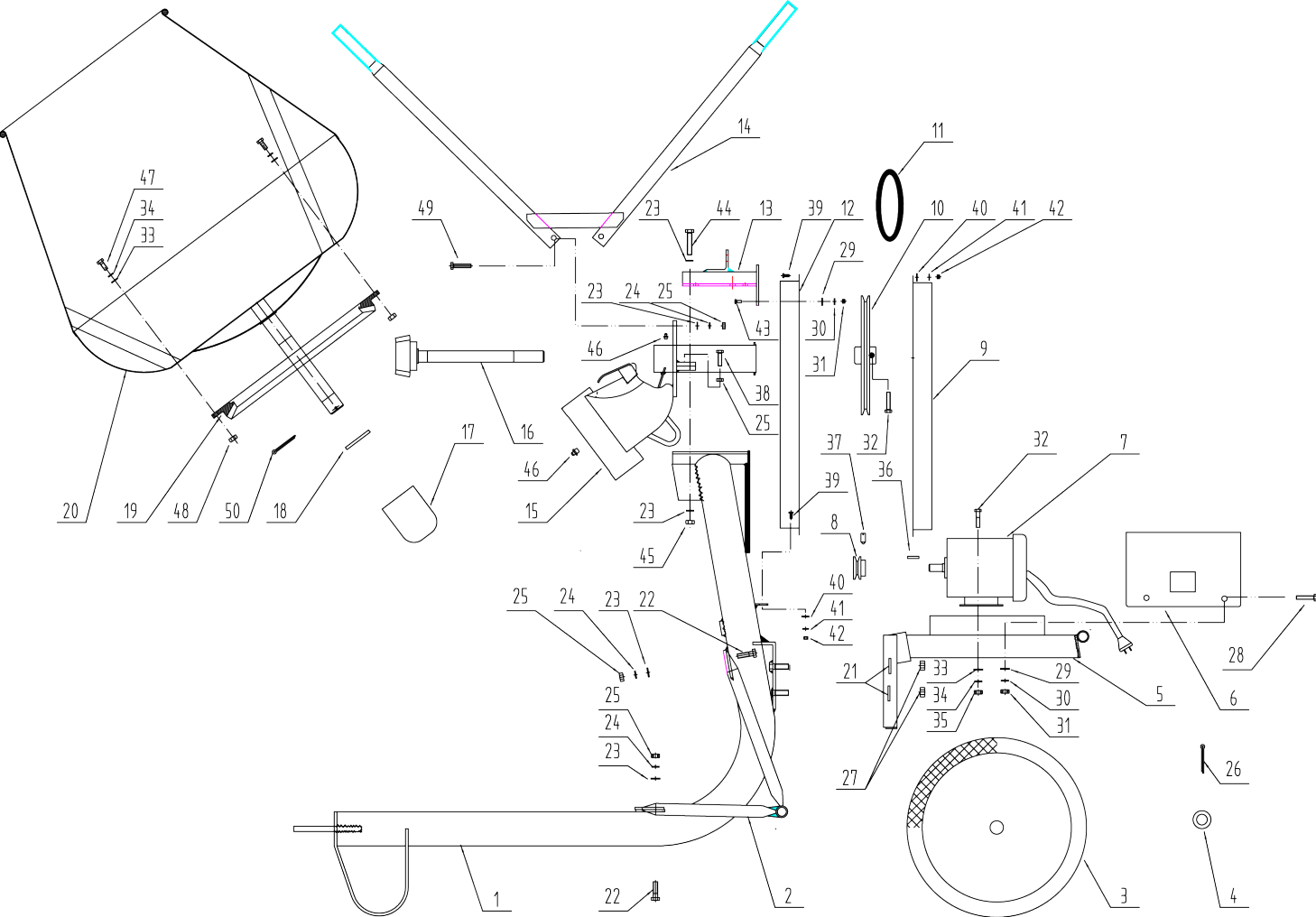


511163

PARTS BREAKDOWN



Component	Item Description
<u>500490</u>	Pulley Cover Inner To Suit 511163 & 511182 Concrete Mixer
<u>500492</u>	Shaft Complete & Gear Assembly To Suit 511163, 511165 & 511182
<u>500481</u>	Wheel Flat Free Puncture Proof To Suit 511163 & 511165 Concret Mixer
<u>500484</u>	Pulley Cover Outer To Suit 511163 & 511182 Concrete Mixer
<u>500482</u>	Motor Cover To Suit 511163 Concrete Mixer
<u>500483</u>	Motor Pulley To Suit 511163 Concrete Mixer
<u>500489</u>	V Belt To Suit 511163 & 511182 Concrete Mixer A1346
<u>500491</u>	Handle To Suit 511163, 511165 & 511182 Concrete Mixer
<u>500485</u>	Pulley To Suit 511163 & 511182 Concrete Mixer

No.	Description	Quantity
1	Main Frame Assembly	1
2	Wheel Stand Assembly	1
3	Wheel	2
4	stop Washer	2
5	Motor Stand Assembly	1
6	Motor Cover	1
7	Motor Assembly	1
8	Motor Pulley	1
9	Pulley Cover / Outer	1
10	Pulley	1
11	Belt A type 1346mm	1
12	Pulley Cover / Inner	1
13	Shaft Cover / upper	1
14	Handle	1
15	Drum Support Assembly	1
16	Transmission Shaft and Gear Assembly	1
17	Cover	1
18	Adjust Washer	4
19	Drum Gear	1
20	Drum and Shaft Assembly	1
21	Lock Plate	2
22	Hex Nut M10 x 30	4
23	Flat Washer 10mm	14
24	Spring Washer 10mm	6
25	Hex Nut M10	7
26	Split Pin 5 x 40	2
27	Hex Selflock Nut M12	2
28	Hex Bolt M6 x 20	4
29	Flat Washer 6mm	6
30	Spring Washer 6mm	6
31	Hex Nut M6	6
32	Hex Bolt M8 x 25	6
33	Flat Washer 8mm	16
34	Spring Washer 8mm	12
35	Hex Nut M8	4
36	Flat Key 5 x 35	1
37	Inner Hex Lock Pin M8x10	1
38	Hex Bolt M10 x 50	1
39	Cross Head Bolt M5 x12	8
40	Flat Washer 5mm	8
41	Spring Washer 5mm	8
42	Hex Nut M5	8
43	Hex Bolt M6 x16	2
44	Hex Bolt M10 x 25	4
45	Hex Selflock Nut M10	4
46	Oil Cup	2
47	Hex Bolt M8x20	8
48	Hex Selflock Nut M8	8
49	Hex Bolt M10 x 30	2
50	Split Pin 6 x 45	1