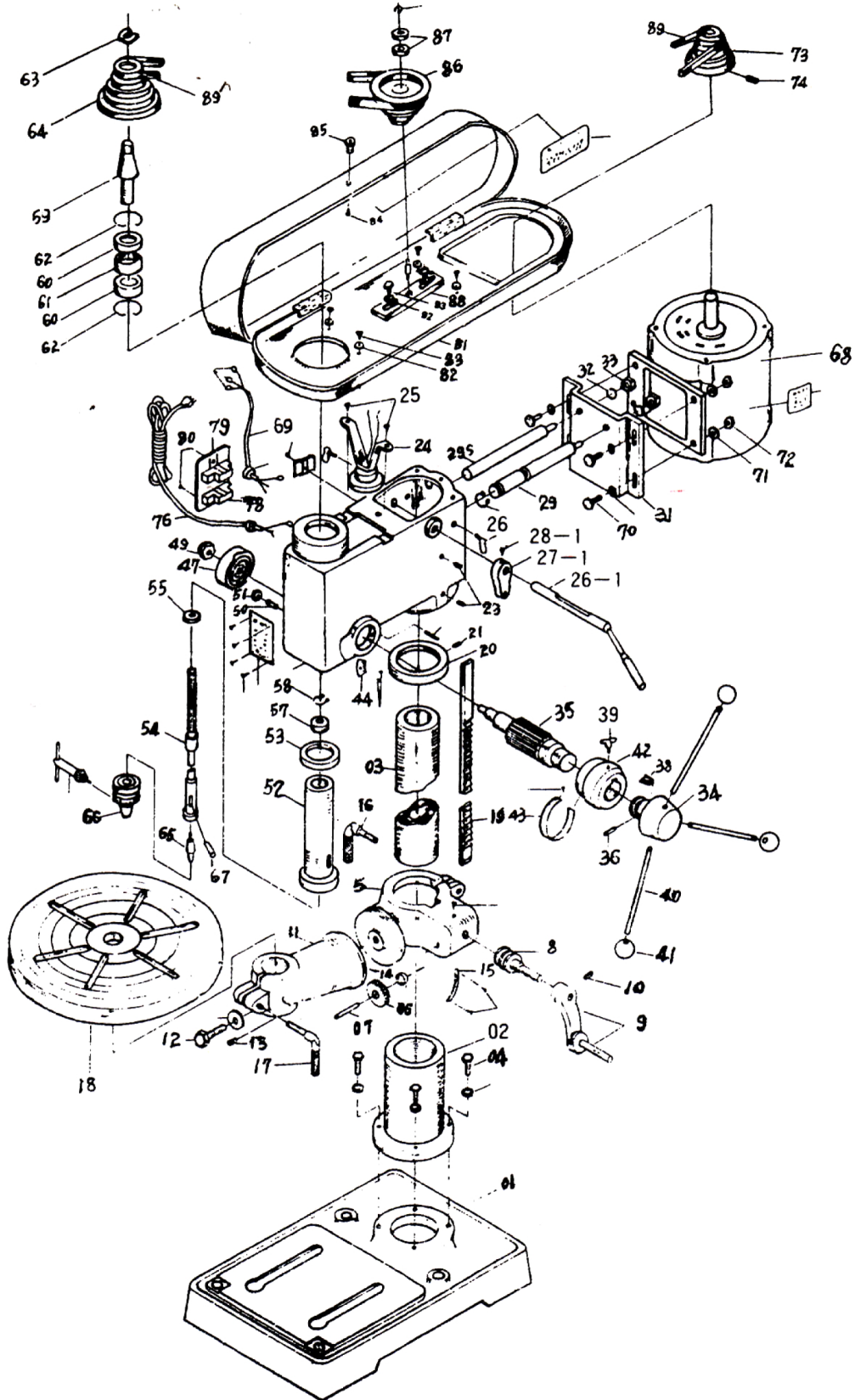


# 501084 PARTS BREAKDOWN



Component	Item Description
<a href="#">500703</a>	Rack To Suit 501084 Floor Drill Presses Item #19
<a href="#">500708</a>	Quill Suit 501083 & 501084 Drill Presses Item # 52
<a href="#">500709</a>	Spindle Suit 501083 & 501084 Drill Presses Item # 54
<a href="#">533953</a>	Drill H/D Floor V Belt M26 532440-89 501083 501084
<a href="#">500700</a>	Table Bracket Suit 501083 & 501084 Drill Presses Item # 5
<a href="#">500701</a>	Table Arm Suit 501083 & 501084 Drill Presses Item # 11
<a href="#">500705</a>	Adjusting Lever Suit 501083 & 501084 Drill Press Item #27-1
<a href="#">500706</a>	Feed Pinion Suit 501083 & 501084 Drill Press Item #35
<a href="#">500707</a>	Spring & Cover Suit 501083 & 501084 Drill Press Item 46 &47
<a href="#">500710</a>	Drive Taper Sleeve Suit 501083 & 501084 Drill Press Item # 59
<a href="#">500711</a>	Spindle Pulley Suit 501083 & 501084 Drill Press Item # 64
<a href="#">500712</a>	Motor To Suit 501083 & 501084 Drill Press Item # 68
<a href="#">500713</a>	Motor Pulley To Suit 501083 & 501084 Drill Press Item # 73
<a href="#">500714</a>	Middle Pulley Suit 501083 & 501084 Drill Press Item # 86
<a href="#">500715</a>	V Belt M22 Suit 501083 501084 Drill Press Item # 89
<a href="#">500704</a>	Rack Collar Suit 501083 & 501084 Drill Presses Item # 20

Model No: 501083 , 501084

Part No.	Description	Part No.	Description
1.	Base	44.	Zero Mark
2.	Flange	45.	
3.	Column	46.	Spring
4.	Screw	47.	Spring Cover
5.	Table Bracket	48.	
6.	Gear	49.	Nylon Nut
7.	Gear Shaft	50.	Screw
8.	Worm and Worm Gear	51.	Nut
9.	Shafting Rod	52.	Quill
10.	Set Screw	53.	Rubber Washer
11.	Table Arm	54.	Spindle
12.	Screw	55.	Ball Bearing
13.	Set Screw	56.	
14.	Zero Mark	57.	Ball Bearing
15.	Angle Scale	58.	Retaining Ring
16.	Clamp Bolt	59.	Drive Taper Sleeve
17.	Clamp Bolt	60.	Ball Bearing
18.	Work Table	61.	Bearing Spacer
19.	Rack	62.	Retaining Ring
20.	Rack Collar	63.	Nut
21.	Set Screw	64.	Spindle Pulley
22.	Head	65.	#2 Morse Taper Arbor
23.	Set Screw	66.	Chuck
24.		67.	Wedge
25.	Screw	68.	Motor
26.	Thumb Screw	69.	Motor Cord
26-1.	Shaft Lever	70.	Screw
27.		71.	Washer
27-1.	Adjusting Lever C	72.	Nut
28.		73.	Motor Pulley
29.	Adjusting Bolt A	74.	Set Screw
29S.	Adjusting Bolt	75.	
30.	Screw	76.	Power Cord
31.	Mounting Plate	77.	
32.	Washer	78.	Switch
33.	Nut	79.	Switch Plate
34.	Handle Body	80.	Screw
35.	Feed Pinion	81.	Pulley Cover
36.	Stop Pin	82.	Washer
37.		83.	Screw
38.		84.	Screw
39.	Thumb Screw	85.	Knob
40.	Handle	86.	Middle Pulley
41.	Knob	87.	Ball Bearing
42.	Scale Sleeve	88.	Pivot Bracket
43.	Scale	89.	V-Belt

Note : With red mark is different parts, to spare can interchangeable with 532440.