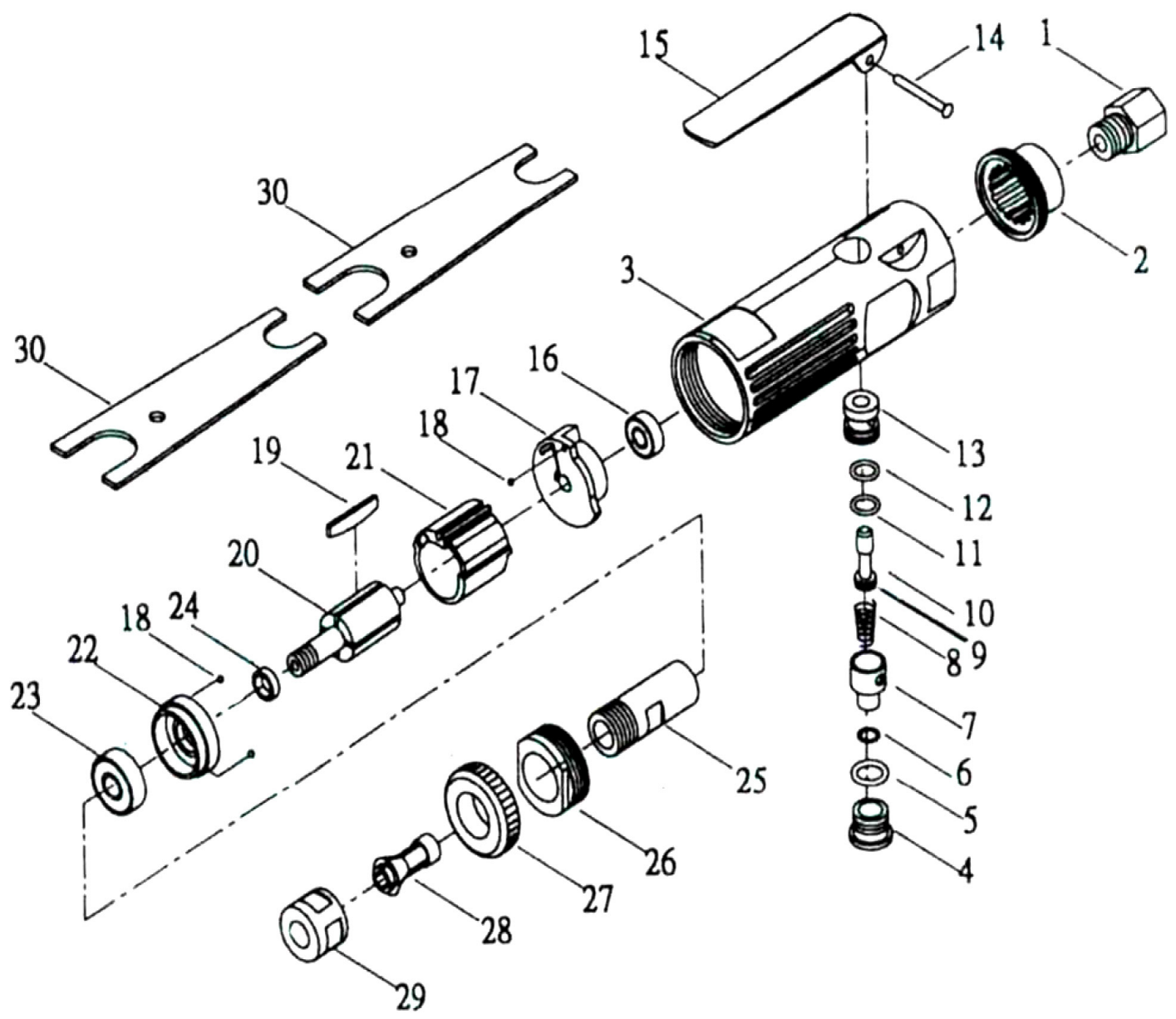


534389

PARTS BREAKDOWN



Component	Item Description
<a href="#">534470</a>	A/Die Kit Grinder Rt Blade (4) 534389
<a href="#">534472</a>	A/Die Kit Grinder Valve Screw 534389
<a href="#">534987</a>	A/Die Kit Grinder Throt Lever 534389
<a href="#">534988</a>	A/Die Kit Grinder Rotor 534389
<a href="#">534989</a>	A/Die Kit Grinder Washer 534389
<a href="#">534467</a>	A/Die Kit Grinder Regulator 534389
<a href="#">534468</a>	A/Die Kit Grinder Throt Valve 534389
<a href="#">534927</a>	A/Die Kit Grinder Cylinder 534389
<a href="#">534928</a>	A/Die Kit Grinder Housing Cap 534389
<a href="#">534929</a>	A/Die Kit Grinder Spindle 534389
<a href="#">524841</a>	Air Die Grinder Spanners (2) Suit 1/4" Kit 534389
<a href="#">523737</a>	A/Die Kit Grinder Collet 6mm 534389-28 530500
<a href="#">534471</a>	A/Die Kit Grinder Collet Nut 534389-29

**PART LOST OF AT-7033**

Index	Parts No.	Description	Qty	Index	Parts No.	Description	Qty
1	P7033-01	INLET BUSHING	1	16	P7033-16	BALL BEARING	1
2	P7033-02	EXHAUST DEFLECTOR	1	17	P7033-17	REAR PLATE	1
3	P7033-03	HOUSING	1	18	P7033-18	BALL	3
4	P7033-04	VALVA SCREW	1	19	P7033-19	ROTOR BLADE	5
5	P7033-05	"O" RING	1	20	P7033-20	ROTOR	1
6	P7033-06	"O" RING	1	21	P7033-21	CYLINDER	1
7	P7033-07	AIR REGULATOR	1	22	P7033-22	FRONT END PLATE	1
8	P7033-08	SPRING	1	23	P7033-23	BALL BEARING	1
9	P7033-09	"O" RING	1	24	P7033-24	WASHER	1
10	P7033-10	THROTTLE VALVE	1	25	P7033-25	SPINDLE	1
11	P7033-11	"O" RING	1	26	P7033-26	RETAINER	1
12	P7033-12	"O" RING	2	27	P7033-27	HOUSING CAP	1
13	P7033-13	VALVE	1	28	P7033-28	COLLET	1
14	P7033-14	THROTTLE LEVER PIN	1	29	P7033-29	COLLET NUT	1
15	P7033-15	THROTTLE LEVER	1	30	P7033-30	DOUBLE ENDED SPANNER	2