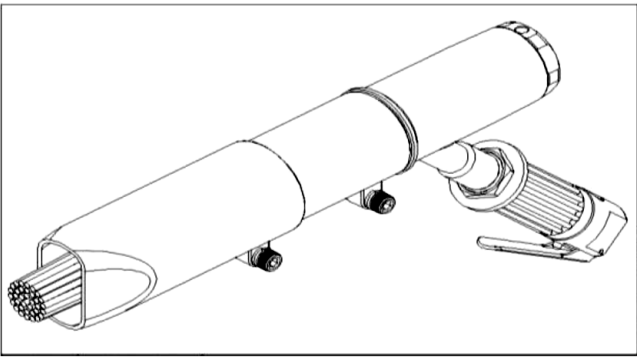
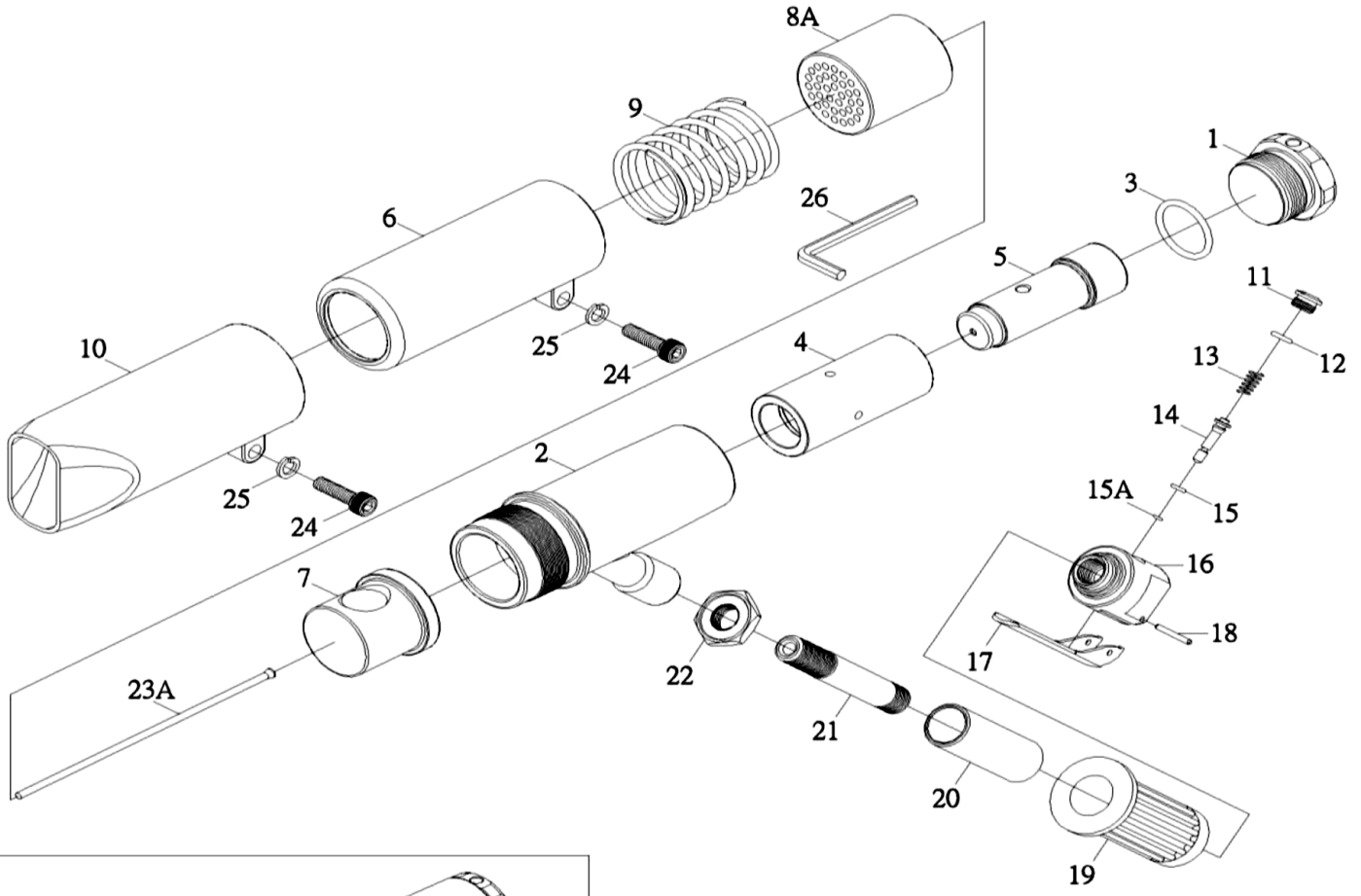


534532

PARTS BREAKDOWN



| SPECIFICATION: | | | |
|------------------|---------|------------------|-----------------|
| *BLOW PER MINUTE | 2500BPM | *PISTON SIZE(mm) | 25×28.5×33×83.7 |
| *AIR CONS | 10 CFM | *WEIGHT | 8 KG |
| *AIR PRESSURE | 90 PSI | *AIR INLET | 1/4"PT(NPT) |

| Component | Item Description |
|------------------------|---|
| 577156 | Air Needle Scaler Needle Spring 534532-9/120-09 |
| 577151 | Air Needle Scaler-Cylinder 534532-4/120-04 |
| 577152 | Air Needle Scaler-Piston 534532-5/120-05 |
| 577153 | Air Needle Scaler-Needl Cover 534532-6/120-06 |
| 577154 | Air Needle Scaler-Driver 534532-7/120-07 |
| 577155 | Air Needle Scaler-Needl Holder 534532-8A/120-08 |
| 524408 | Air Needle Scaler-O Ring 534532-12/120-12 |
| 524409 | Air Needle Scaler-Spring 534532-13/120-13 |
| 524410 | Air Needle Scaler-Valve Stem 534532-14/120-14 |
| 524411 | Air Needle Scaler-"O" Ring 534532-15/120-15 |
| 524439 | Air Needle Scaler-Body 534532-2/120-02 |
| 524440 | Air Needle Scaler-"O"Ring 534532-3/120-03 |
| 577157 | Air Needle Scl 534532 Covr Sqr |
| 577160 | Air Needle Scl 534532 Ndl Set |
| 524412 | Air Needle Scaler-"O" Ring 534532-15A/120-15A |

PART LIST OF AT-2504

| NO. | PARTS NO | DESCRIPTION | Q'TY | NO. | PARTS NO | DESCRIPTION | Q'TY |
|-----|----------|-------------------------|------|-----|----------|-------------------------|------|
| 1 | 120-01 | BODY CAP | 1 | 15 | 120-15 | O-RING (D4.8xw1.9) (P5) | 1 |
| 2 | 120-02 | BODY | 1 | 15A | 12015A | O-RING (d2.5xw1.5) | 1 |
| 3 | 120-03 | O-RING (d32xw2.5) (P32) | 1 | 16 | 120-16 | VALVE BODY | 1 |
| 4 | 120-04 | CYLINDER | 1 | 17 | 120-17 | TRIGGER | 1 |
| 5 | 120-05 | PISTON | 1 | 18 | 120-18 | ROLL PIN (Ø3x24L) | 1 |
| 6 | 120-06 | NEEDLE COVER | 1 | 19 | 120-19 | RUBBER HANDLE GRIP | 1 |
| 7 | 120-07 | DRIVER | 1 | 20 | 120-20 | HANDLE TUBE | 1 |
| 8A | 120-08A | 4MM NEEDLE HOLDER | 1 | 21 | 120-21 | CENTRE TUBE | 1 |
| 8B | 120-08B | 3MM NEEDLE HOLDER | 1 | 22 | 120-22 | NUT | 1 |
| 8C | 120-08C | 2MM NEEDLE HOLDER | 1 | 23A | 120-23A | 4MM NEEDLE SET(Ø4x180L) | 35 |
| 9 | 120-09 | SPRING | 1 | 23B | 120-23B | 3MM NEEDLE SET(Ø3x180L) | 49 |
| 10 | 120-10 | FRONT TUBE | 1 | 23C | 120-23C | 2MM NEEDLE SET(Ø2x180L) | 66 |
| 11 | 120-11 | VALVE SCREW | 1 | 24 | 120-24 | CAP HEAD SCREW | 2 |
| 12 | 120-12 | O-RING (d7.8xw2.4) | 1 | 25 | 120-25 | WASHER (5/16") | 2 |
| 13 | 120-13 | SPRING | 1 | 26 | 120-26 | HEX.WRENCH (6MM) | 1 |
| 14 | 120-14 | VALVE STEM | 1 | | | | |