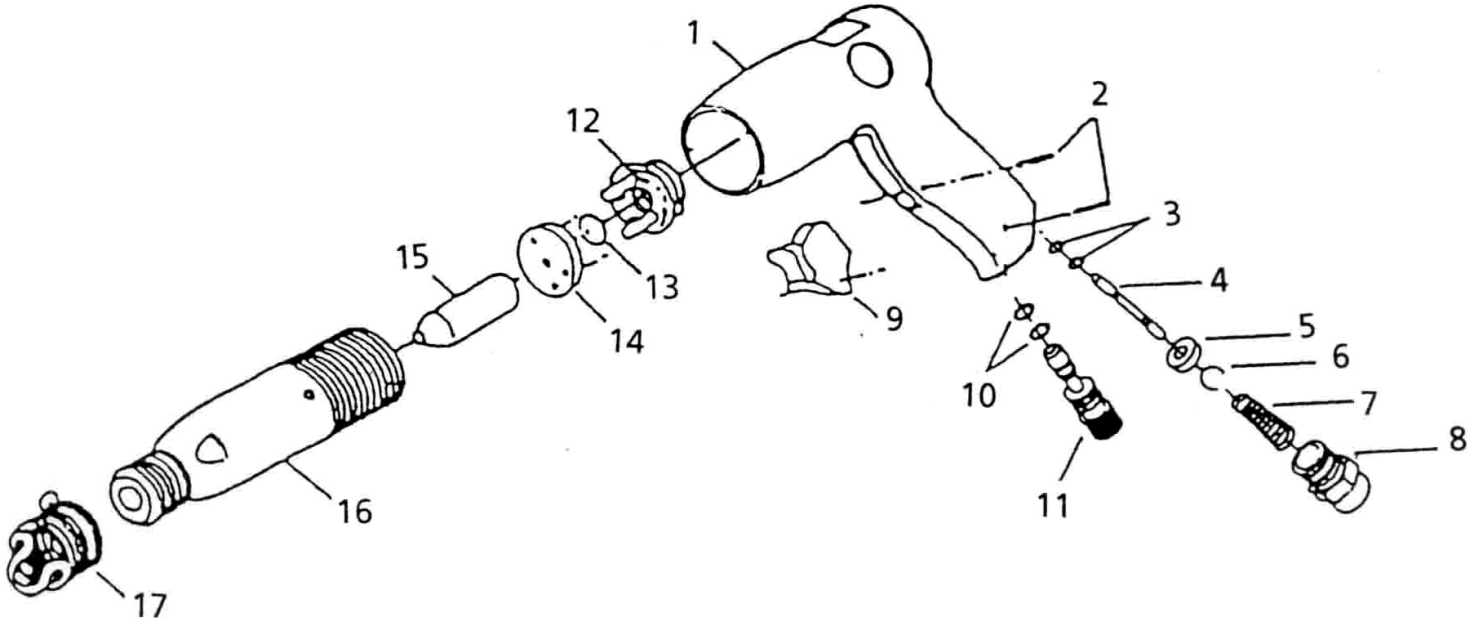


534391

PARTS BREAKDOWN



Component	Item Description
534980	Hammer Chisel H/D Inlet Valve 534391
535595	Air Hammer Chisel Piston 534391
535596	Air Hammer Chisel Cylinder 534391
534451	Hammer Chisel H/D Regulator 534391
534453	Hammer Chisel H/D Throttle Spr 534391
534455	Hammer Chisel H/D Trigger 534391
576565	Air Hammer Chisel Push Rod 534391
576566	Air Hammer Chisel O-Ring 534391
576567	Air Hammer Chisel Valve Ball 534391
530836	Air Ham/Chisel-Regulator 534391-Ah3
530839	Air Ham/Chisel-Coupling Nut 534391-Ah4
530840	Air Ham/Chisel-Throttle Spring 534391-Ah5
530841	Air Ham/Chisel-Valve Ball 534391-Ah6
530842	Air Ham/Chisel-Push Rod 534391-Ah7
530843	Air Ham/Chisel-"O"Ring 2X1.5 534391-Ah9
530844	Air Hammer Chisel Trigger 534391 Ah8
530851	Air Ham/Chisel-Handle 534391-Ah1
530852	Air Ham/Chisel-Pin 534391-Ah2
530837	Air Ham/Chisel-"O"Ring (P8) 534391-Ah3A
530838	Air Ham/Chisel-Valve Seat 534391-Ah3B
530845	Air Ham/Chisel-Uppr Valve Case 534391-Ah10
530846	Air Ham/Chisel-Valve Disc 534391-Ah11
530847	Air Ham/Chisel-Lwr Valve Plate 534391-Ah12

<u>530848</u>	Air Ham/Chisel-Valve Pin 534391-Ah13
<u>530849</u>	Air Ham/Chisel-Piston 534391-Ah14
<u>530850</u>	Air Ham/Chisel-Cylinder 534391-Ah15
<u>530853</u>	Air Ham/Chisel-Pin 534391-Ah2A
<u>524762</u>	Air Hammer Regulator Set 534391 Item 2 X 10 & 11 In Plastic Bag Labelled

AT-2012

Part No	Name of Parts	Perset	Part No	Name of Parts	Perset
TH-190V01	MAIN PART	1	TH-190V11	REGULATOR	1
TH-190V02	PIN	2	TH-190V12	VALVE SUPEROEURE	1
TH-190V03	"O" RING	2	TH-190V13	DISQUE	1
TH-190V04	VALVE STEM	1	TH-190V14	VALVE INFERIEURE	1
TH-190V05	RUBBER GASKST	1	TH-190V15	PISRON	1
TH-190V06	BALL	1	TH-190V16	CYLINDER	1
TH-190V07	SPRING	1	TH-190V17	RESSORT AMMORTISSEUR	1
TH-190V08	HOUS JOINT	1			
TH-190V09	TRIGGER	1			
TH-190V10	"O" RING	2			