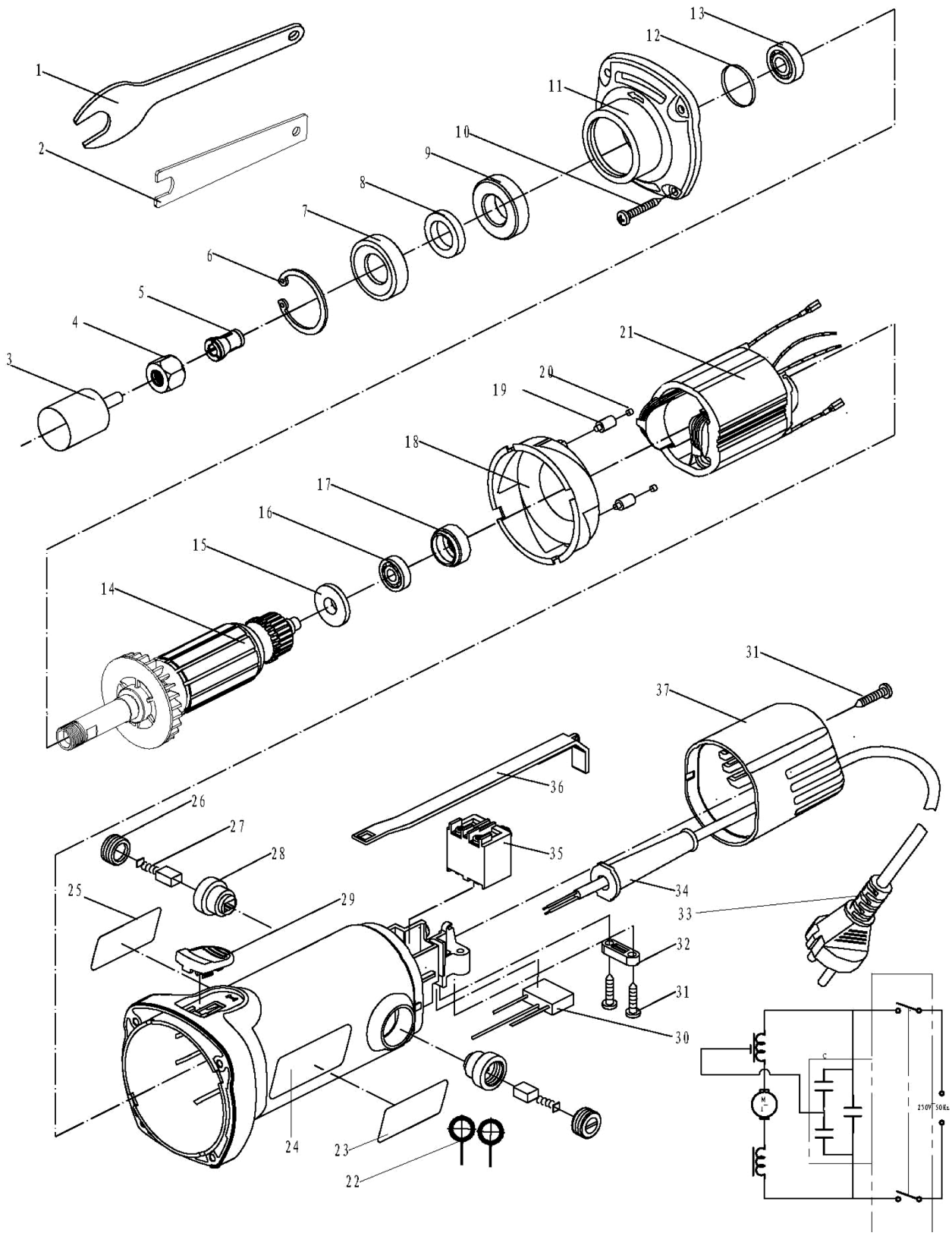


598036

PARTS BREAKDOWN



Component	Item Description
501027	Tapping Screw ST4.2X13 Screw To Suit Toolex Die Grinder 598036 & 598037
501029	Supply Cord & Plug 2X0.75mm2 To Suit Toolex Die Grinder 598036 & 598037
501009	Gear Housing Suit Die Grinder 598036
501012	Armature Suit Die Grinder 598036
501015	Bearing Sleeve Suit Die Grinde 598036 & 598037
501016	Fran Guide Suit Die Grinder 598036 & 598037
501000	Wrench 17MM Suit Die Grinder 598036 & 598037
501001	Wrench 12MM Suit Die Grinder 598036 & 598038
501002	Collet Nut Suit Die Grinder 598036 & 598037
501003	1/4" Collet Suit Die Grinder 598036 & 598037
501004	Circlip 35 Suit Die Grinder 598036 & 598037
501005	Plastic Washer Suit Die Grinde 598036 & 598037
501007	Washer Suit Die Grinder 598036 598037
501017	Additional Column Suit Die Grinder 598036 & 598037
501019	Stator To Suit Toolex Die Grinder 598036 & 598037
501021	Housing To Suit Toolex Die Grinder 598036 & 598037
501028	Cable Clamp To Suit Toolex Die Grinder 598036 & 598037
501030	Cable Amor To Suit Toolex Die Grinder 598036 & 598037
501031	Switch To Suit Toolex Die Grinder 598036 & 598037
501033	Back Cover To Suit Toolex Die Grinder 598036 & 598037
501010	O-Ring 27.6X1.8MM Suit Die Grinder 598036 & 598037
501011	Ball Bearing 61902-2Z Suit Die Grinder 598036 & 598037
501013	Dust Proof Ring Suit Die Grinder 598036 & 598037

<u>501014</u>	Ball Bearing 607-2Z Suit Die Grinder 598036 & 598037
<u>501018</u>	Arresting Screw To Suit Toolex Die Grinder 598036 & 598037
<u>501020</u>	Brush Holder Assembly To Suit Toolex Die Grinder 598036 & 598037
<u>501022</u>	Brush Holder Cover To Suit Toolex Die Grinder 598036 & 598037
<u>501023</u>	Carbon Brush To Suit Toolex Die Grinder 598036 & 598037
<u>501024</u>	Brush Holder To Suit Toolex Die Grinder 598036 & 598037
<u>501025</u>	Switch Pushing Block To Suit Toolex Die Grinder 598036 & 598037
<u>501026</u>	Capacitor 0.22uF To Suit Toolex Die Grinder 598036 & 598037
<u>501032</u>	Switch Lever To Suit Toolex Die Grinder 598036 & 598037
<u>501006</u>	Dust Proof Felt Washer Suit Die Grinder 598036 & 598037
<u>501008</u>	Tapping Screw ST4.2X19 Suit Di Die Grinder 598036 & 598037

