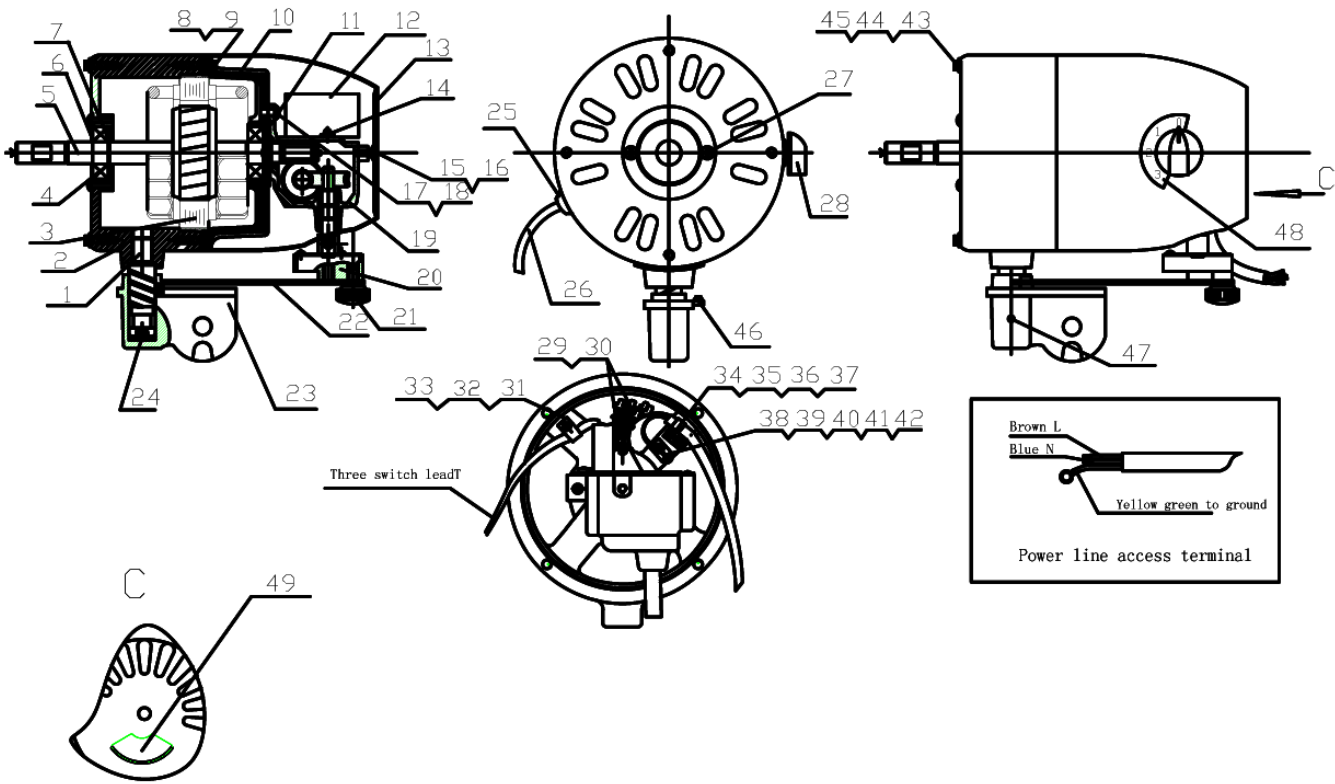


592785 PARTS BREAKDOWN

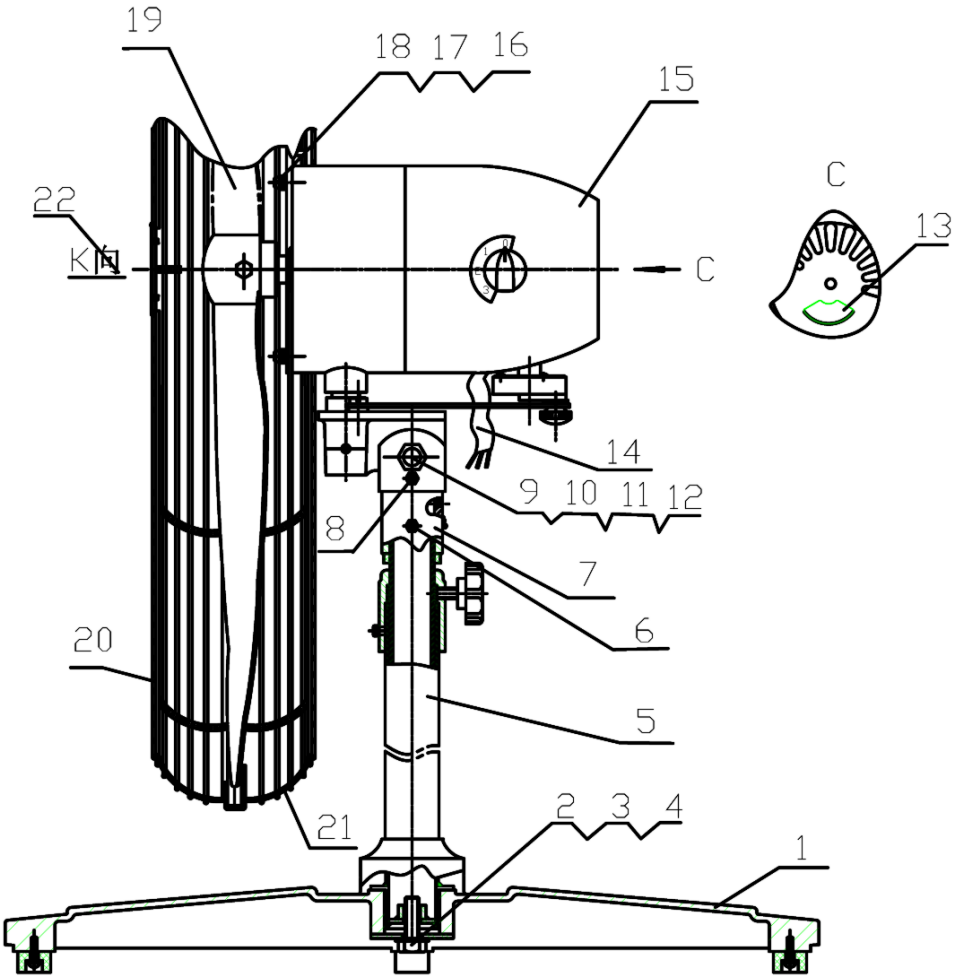


Component	Item Description
534047	Fan Indust Wall Mount Bracket 592785
593065	Switch For Fan Industrial 30" 750 MM 3 Speed 380W 240V Suit 592785 & 592787
593064	Motor For Fan Industrial 30" 750 MM 3 Speed 380W 240V Suit 592785 & 592787
593066	Blade Set For Fan Indust 30" 750 MM 3 Speed 380W 240V Suit 592785 & 592787
598378	Fan Guard Industrial 30" 2 Piece Suit 592785 and 592787

Serial number	On behalf of	Name	Number	Specification/material	Note
1	FS. FB-75-011-010-003	Front axle	1	∅20X76	
2	FS. FB-75-011-010-001	Motor front shell			Spray
3	FS. FB-75-012-041-000	Stator assembly	1	D:120 Z:24 L:36 D72	
4	GB292-83	Ball bearing	2	6203	
5	FS. FB-75-011-050-000	Rotor assembly	1	∅72X36	
6	FS. FB-75-011-010-002	Bearing cover	1	D60 D17	Spray
7	GB894-76	Circlip for shaft	2	∅17	
8	GB93-87	Spring washer	4	∅5	Plating color zinc
9	GB818-85	Cross screw	4	M5X20	Plating color zinc
10	FS. FB-75-011-020-000	Back cover	1		
11	FS. FB-75-011-060-000	Wave projectile	1	65Mn/∅39	
12	CBB16	Capacitance	1	5 μ F/500V	
13	FS. FB-75-012-031-000	Back cover	1	Adjust speed	Spray
14	GB818-85	Flat washer	2	M5X10	Plating color zinc
15	GB95-85	Flat washer	1	∅5	Plating color zinc
16	GB818-85	Hexagon head screws	1	M5X20	Plating color zinc
17	GB93-87	Spring washer	3	∅5	Plating color zinc
18	GB818-85	Cross screw	3	M5X12	Plating color zinc
19	FS. FB-75-011-080-000	Reduction box combination	1		
20	FS. FB-75-011-090-000	Overload protection device	1		Spray
21	FS. FB-75-011-100-000	Adjustment screw	1	M8	
22	FS. FB-75-011-110-000	Connecting rod	1	Hole distance 144	Plating color zinc
23	FS. FB-75-011-131-000	Upper joint	1	HT-100	Spray
24		Steel ball	1	∅6	
25	KDDT-396	Outlet apron	1	∅10/Rubber	
26		Power cord	1	RVV 2X0.75 +0.75mm ²	The length of 2 meters
27	GB818-85	Cross screw	2	M5X8	Plating color zinc
28		Three stop switch	1	2A/250V GZS-5	
29		Tie	2	Nylon	
30	KDDT-366	Closed terminal	4		
31	KDDT-360	Clamp	1	∅6/Nylon1010	
32	GB95-85	Washer	1	∅4	Plating color zinc
33	GB818-85	Cross screw	1	M4X10	Plating color zinc
34	KDDT-360	L type wire clip	1	∅6/Nylon1010	
35	GB95-85	Washer	2	∅4	Plating color zinc
36	GB818-85	Cross screw	2	M4X10	Plating color zinc
37	GB93-87	Spring washer	2	∅4	Plating color zinc
38	GB818-85	Cross screw	1	M4X20	Plating color zinc
39	GB93-87	Spring washer	2	∅4	Plating color zinc
40	GB95-85	Washer	3	∅4	Plating color zinc
41	GB52-76	Hexagon nut	2	M4	Plating color zinc
42		Earth sign	1	0.2Aluminum foil	
43	FS. FB-75-011-070-000	Mesh cover	4	D15 d6.5 h1.5	Plating color zinc
44	GB93-87	Spring washer	4	∅6	Plating color zinc
45		Cross screw	4	M6X16	Plating color zinc
46	FS. FB-75-011-120-000	Upper screw	1	M6	Zinc plating
47	GB818-85	Cross screw	1	M5X8	Plating color zinc
48	FS. FB-75-070-010-000	Gear mark	1	Adhesive	
49	FS. FB-75-070-020-000	Nameplate	1	Adhesive	

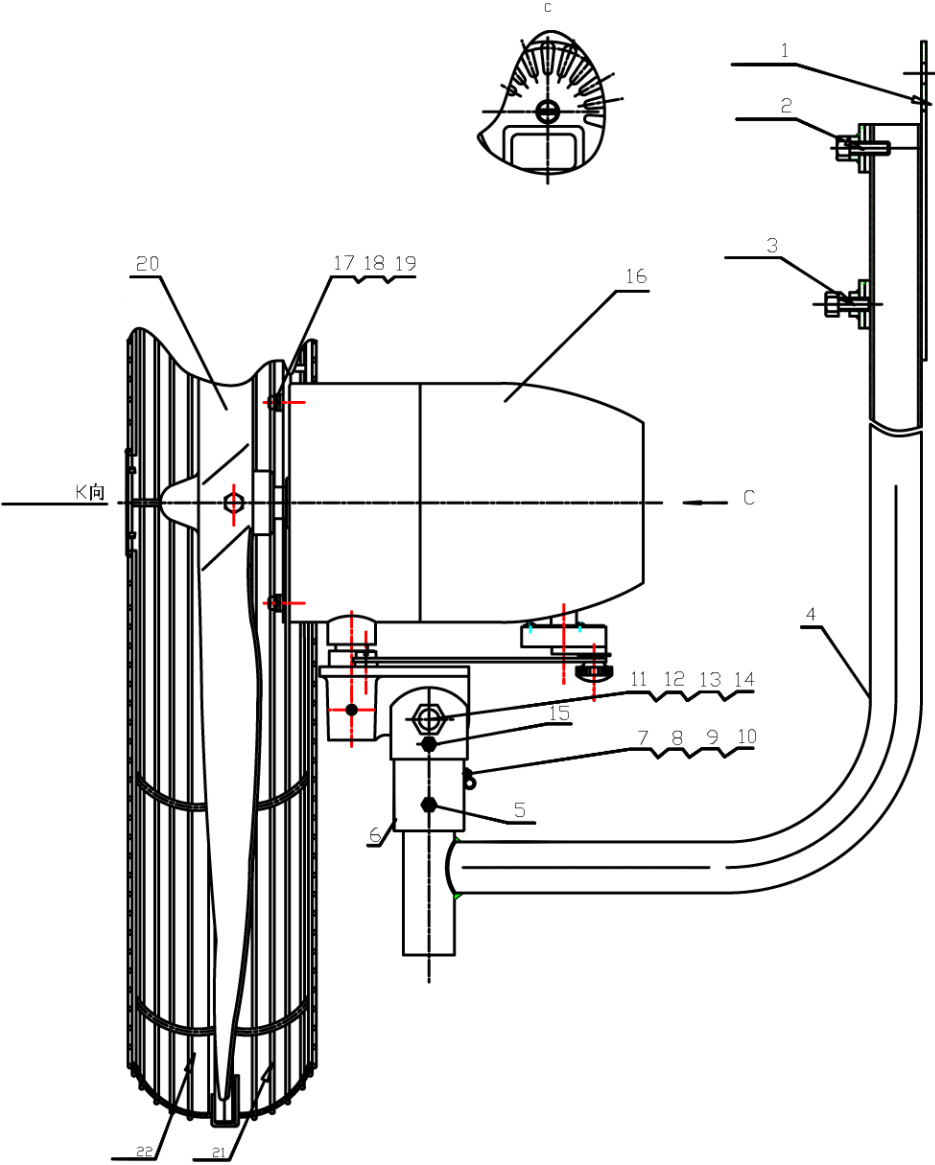
592785

PARTS BREAKDOWN



Serial number	On behalf of	Name	Number	Specification/material	Note
1	FS-75-050-000-000	Cross base assembly	1	600/HT-100	Spray
2	FS-75-040-030-000	Washer	1	D60 d12.5 δ 3	Plating color zinc
3	GB593-85	Spring washer	1	Ø12	Plating color zinc
4	GB5780-86	Hexagon headed bolt	1	M12X40	Plating color zinc
5	FS-75-040-000-000	Pillar tube assembly	1		Spray
6	GB818-85	Cross screw	1	M6X12	Plating color zinc
7	FS. FB-75-040-040-000	Lower joint	1	HT-100	Spray
8	GB818-85	Cross screw	1	M6X20	Plating color zinc
9	GB95-85	Washer	1	Ø12	Plating color zinc
10	GB593-85	Spring washer	1	Ø12	Plating color zinc
11	GB52-76	Hexagon nut	1	M12	Plating color zinc
12	GB30-76	Hexagon headed bolt	1	M12X40	Plating color zinc
13	FS. FB-75-070-020-000	Nameplate	1	Adhesive	
14		Power supply wire	1	RVV 2X0.75+0.75mm ²	The length of 2 meters
15	FS. FB-75-011-000-010	Motor assembly	1		
16	FS. FB-75-011-070-000	Mesh cover	4	D15 d6.5 h1.5	Plating color zinc
17	GB593-85	Spring washer	4	Ø6	Plating color zinc
18	GB818-85	Cross screw	4	M6X16	Plating color zinc
19	FS. FB-75-030-000-000	Fan blade combination	1	Three pointed aluminum	Spray
20	FS. FB-75-020-020-000	Front net cover	1		Spray coating
21	FS. FB-75-020-010-000	After the network	1		Spray coating
22	FS. FB-75-070-040-000	Network standard	1	Aluminum plate	
23					
24					
25					
26					
27					

592785 PARTS BREAKDOWN



Serial number	On behalf of	Name	Number	Specification/material	Note
1	FB-75-061-000-000	Hanging wall panel	1		Spray
2	GB30-76	Hexagon bolt	1	M8X25	Plating color zinc
3	GB30-76	Hexagon bolt	1	M8X20	Plating color zinc
4	FB-75-060-030-000	Hanging wall elbow	1	δ=1.2X032/A3High frequency tube	Spray
5	GB818-85	Cross screw	1	M6X12	Plating color zinc
6	FS.FB-75-040-040-000	Lower joint	1	HT-100	Spray
7	KDDT-360	Clamp	1	Ø6/Nylon1010	
8	GB95-85	Washer	1	Ø4	Plating color zinc
9	GB593-85	Spring washer	1	Ø4	Plating color zinc
10	GB70-76	Countersunk head screws	1	M4X8	Plating color zinc
11	GB95-85	Washer	1	Ø12	Plating color zinc
12	GB593-85	Spring washer	1	Ø12	Plating color zinc
13	GB52-76	Hexagon nut	1	M12	Plating color zinc
14	GB30-76	Hexagon headed bolt	1	M12X40	Plating color zinc
15	GB818-85	Cross screw	1	M6X20	Plating color zinc
16	FS.FB-75-011-000-010	Motor assembly	1		The length of 2 meters
17	FS.FB-75-011-070-000	Mesh cover	4	D15 d6.5 h1.5	Plating color zinc
18	GB593-85	Spring washer	4	Ø6	Plating color zinc
19	GB818-85	Cross screw	4	M6X16	Plating color zinc
20	FS.FB-75-030-000-000	Fan blade combination	1		Spray
21	FS.FB-75-020-010-000	Rear net cover	1		Spray
22	FS.FB-75-020-020-000	Front net cover	1		Spray
23					
24					
25					