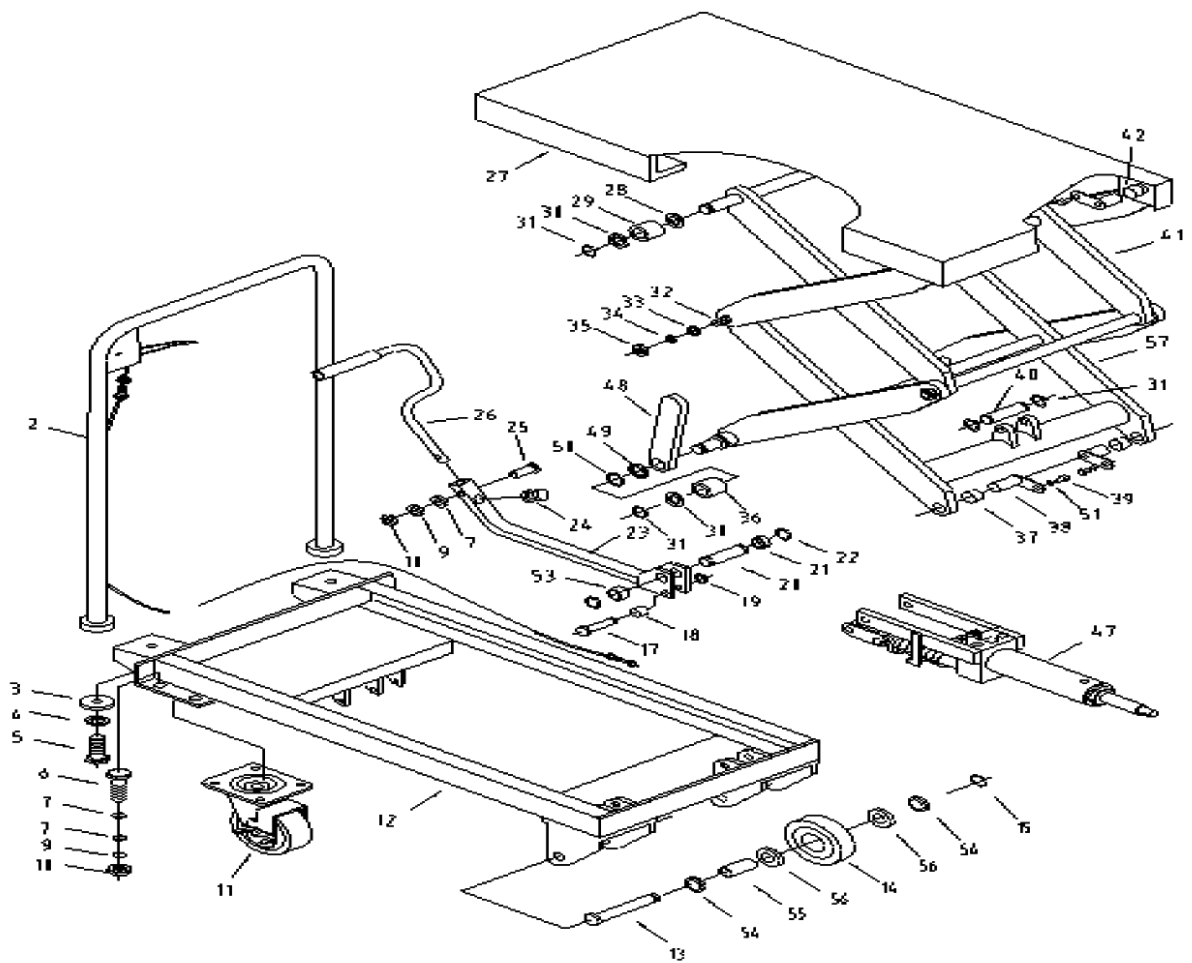


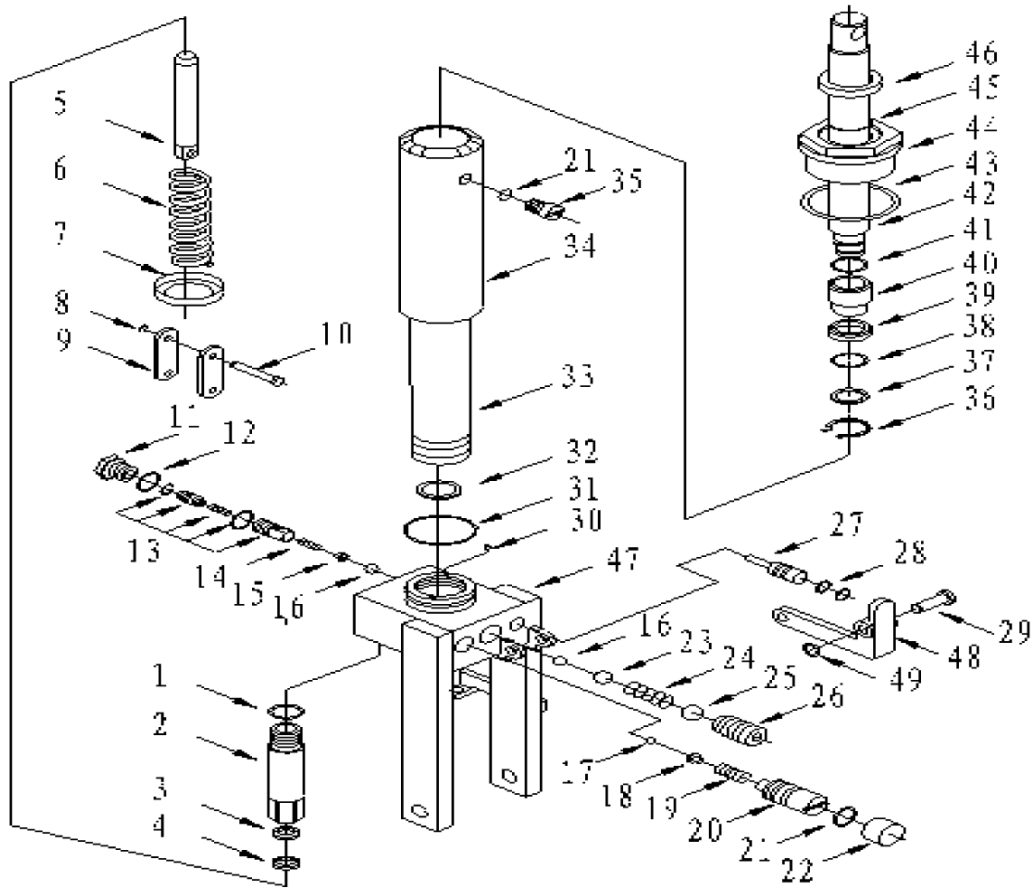
576157 PARTS BREAKDOWN



Component	Item Description
525384	Hyd Scissor Lift 350Kg Seal Kit 576157
536753	Hyd Scissor Lift Castor And Wheel With Brake 576157 Suit Red Type
536754	Hyd Scissor Lift Front Wheel 350 Kg 576157 Suit Red Type
535959	Hyd Scissor Lift 350Kg Ram 576157
524622	Hyd Scissor Lift 350Kg Cable 576157-31 Release Cable In Plastic Bag
500403	Cable & Lever Assembly Complete to Suit 576157 Scissor Lift
500400	Ram/Pump Unit Complete to Suit 576157 Scissor Lift
500108	Universal Wheel Swivel Type Suit 576157 595185 Scissor Lift Complete Wheel
500401	Bearing & Sleeve Kit Suit Wheel On 576157 Scissor Lift
500402	Ram/Pump Seal Kit Complete to Suit 576157 Scissor Lift

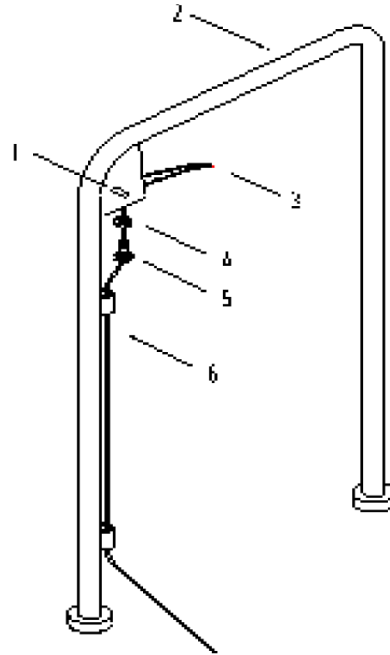
No.	Drawing no.	Description	Qty.	No.	Drawing no.	Description	Qty.
2	SPIII.1-00	Handle bar	1	29	SP.6-12	Roller	2
3	SPA.0-02	Washer	2	30	GB848-86	Washer 16	4
4	GB93-1987	Washer 12	6	31	GB894.1-86	Retaining ring for axle 16	6
5	GB5781-2000	Bolt 12x30	2	32	SPS.0-01	Shaft	2
6	GB5781-2000	Bolt M8x25	8	33	GB95-1985	Washer 16	4
7	GB95-1985	Washer 8	17	34	GB95-1985	Washer 12	4
9	GB93-1987	Washer 8	9	35	GB41-86	Nut M12	4
10	GB41-86	Nut M8	9	36	SP.6-10	Roller	2
11		Universal wheel 5"	2	37	SP.6-01	Bush	2
12	SPSC.3-00	Frame	1	38	SP.0.02	L-Pin	4
13	SP.0-08	Shaft	2	39	GB70-85	Bolt 6x10	4
14	SP.0-04	Wheel 5"	2	40	SP.0-03	Shaft	1
15	GB894.1-86	Retaining ring for axle 12	2	41	SPS.4-00	Arm	1
17	SP.0-11	Shaft	1	42	SF-1.1612	Bush	2
18	SP.0-12	Bush	1	47	YQ-00-350	Pump unit	1
19	GB894.1-86	Retaining ring for axle 10	1	48	SPC.6-07	Support	2
20	SPS.0-03	Shaft	1	49	SPA.4-07	Washer	2
21	YQ-7	Retaining ring	1	50	GB894.1-86	Retaining ring for axle 24	2
22	GB894.1-86	Retaining ring for axle 20	2	51	GB93-1987	Washer 6	4
23	SPS.2.01B	Connecting rod	1	53	YQ-8	Retaining ring	1
24	SP.3-03	Cushion	1	54	SP.0-06	Bush	4
25	GB5781-2000	Bolt M8x30	1	55	SP.0-07	Hollow shaft	2
26	SP.3-02	Pedal bar	1	56	GB276-86	Bearing 6203	4
27	SPSC.6-00	Table	1	57	SPS.5-00	Arm	1
28	SP.6-11	Bush	2				

576157 PARTS BREAKDOWN



No.	Drawing no.	Description	Qty.	27	YQ-01	Strike pin	1	
1	GB3452.1-86	O-ring 22.4×2.65	1	28	GB3452.1-82	O-ring 6.9×1.8	2	
2	SP.8-11A	Pump cylinder	1	29	DF1.2-08	Shaft	1	
3	UHS14	Yx- seal ring	1	30		Filter	1	
4	DH14	Dust ring	1	31	GB3452.1-82	O-ring 65×3.55	1	
5	SP.8-10A	Pump plunger	1	32	SP.8-12	Rectangular ring section	1	
6	SP.8-09	Spring	1	33	SP.8-04	Cylinder	1	
7	SP.8-08	Spring seat	1	34	SP.8-03	Housing	1	
8	GB894.1-86	Retaining ring for axle 10	1	35	SP.8-02	Screw	1	
9	SP.0-13B	Joint plate	2	36	GB894.1-86	Retaining ring for axle 25	1	
10	SP.0-14	Pin	1	37	SP.8-13	Washer	1	
11	JF.1-17	Screw	1	38	GB3452.1-82	O-ring 33.5×3.55	1	
12	JB982-77	Copper washer 20	1	39	SP.8-14	Cup packing	1	
13	6W804.1-12	Damp valve	1	40	SP.8-06	Bush	1	
14	YQ-03	Spring	1	41	GB3452.1-82	O-ring 20×2.65	1	
15	YQ-02	Spring seat	1	42	SP.8-05	Piston rod	1	
16	GB308-77	Steel ball 6.35	2	43	CO1.2-16	Rectangular section sealing	1	
17	GB308-77	Steel ball 4.5	1	44	SP.8-01	Cylinder cap	1	
18	SP.8-18	Spring seat	1	45	GB3452.1-82	O-ring 31.5×3.55	1	
19	SP.8-17	Spring	1	46	HG4-692-67	J Shaped steel frame rubber sealing 32×45×6.5	1	
20	SP.8-16	Adjusting screw	1	47	YQ.6-300	Base	1	
21	GB3452.1-86	O-ring 7.5×2.65	2	48	YQ-04	Lever plate	1	
22	SP.8-15	Cover ring	1	49	GB894.1-86	Retaining ring for axle 8	1	
23	GB308-77	Steel ball 9.5	1					
24	SP.8-07	Spring	1					
25	GB308-77	Steel ball 1/2(12.7)	1					
26	GB77-85	Screw M16×18	1					

576157 PARTS BREAKDOWN



No.	Drawing no.	Description	Qty.	Remark
1	GB879-86	Spring pin 6x30	1	
2	SPAIII.1.01	Handle bar	1	
3	SPIII.1.02	Knob	1	
4	GB6172-86	Nut M8	1	SPS350
5	SPIII.0-01	Screw	2	
6	1340(1135)	Pull rod	4	