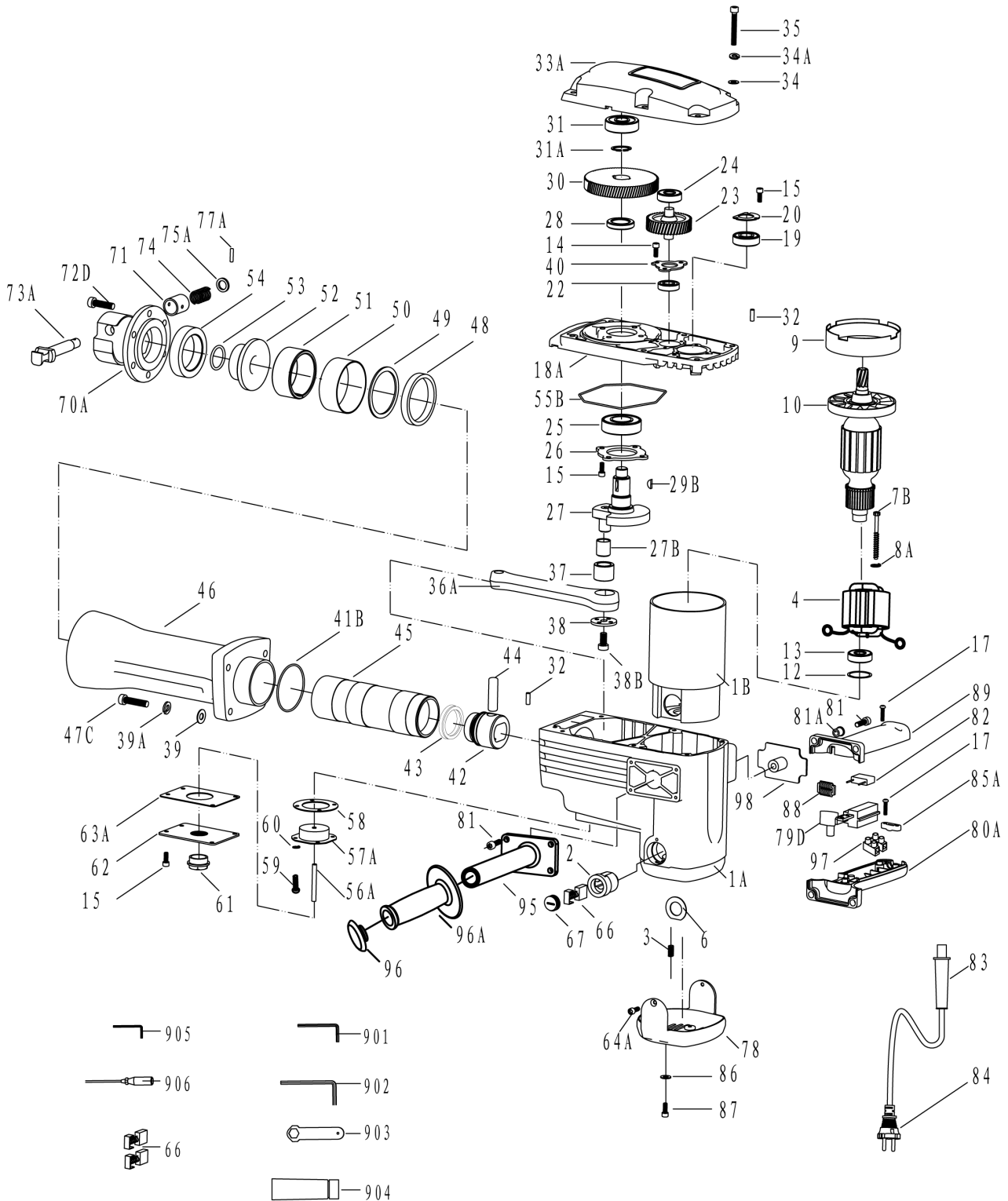


537124 PARTS BREAKDOWN



Hammer Part Chart



Component	Item Description
592837	Hammer Dem T70As O-Ring 537124-53
592838	Hammer Dem T70As Damper 537124-54
592840	Hammer Dem T70As Oil Felt 537124-56A
592843	Hammer Dem T70As Brush Cap 537124-67
592844	Hammer Dem T70As Stop Lever 537124-73A
592846	Hammer Dem T70As Damper 537124-75A
592847	Hammer Dem T70As Needle Roller 537124-77A
592848	Hammer Dem T70As Tail Cover 537124-78
592849	Hammer Dem T70As Switch 537124-79D See Comp Switch/Handle 524842
592851	Hammer Dem T70As Handle Cover 537124-89 See Comp Switch/Handle 524842
592852	Hammer Dem T70As Handle 537124-95
592821	Hammer Dem T70As Stator Assy 537124-1B
592822	Hammer Dem T70As Stator 537124-4
592832	Hammer Dem T70As L-Ring 537124-43
592836	Hammer Dem T70As Mouth 537124-51
524842	T70 Hammer Handle & Switch 537124-11 Parts In Plastic Bag-Labelled Etc.
592839	Hammer Dem T70As Distance Ring 537124-55B
592842	Hammer Dem T70As Carbon Brush 537124-66
592823	Hammer Dem T70As Armature Assy 537124-10
592824	Hammer Dem T70As Counter Gear 537124-23
592826	Hammer Dem T70As Final Gear 537124-30
592829	Hammer Dem T70As Needle Bearing 537124-37
592833	Hammer Dem T70As Urethane Ring 537124-48

<u>592835</u>	Hammer Dem T70As Mouth Cover 537124-50
<u>592845</u>	Hammer Dem T70As Lever Spring Use 523902 537124-74
<u>592827</u>	Hammer Dem T70As Gear Cover 537124-33A
<u>592828</u>	Hammer Dem T70As Connecting Rod Assy 537124-36
<u>592834</u>	Hammer Dem T70As Mouth Washer 537124-49

Hammer Parts List

XP-No	Item No.	Part Describe	Quantity	XP-No	Item No.	Part Describe	Quantity
88290012	1A	Housing Ass'y	1	88210021	47C	Hex. Socket Bolt M8×40 (12.9)	4
88261031	1B	Stator Ass'y	1	88261006	48	Big Urethane Ring	1
88241001	2	Brush Holder	2	88221012	49	Mouth Washer	1
88210046	3	Seal Lock Screw M5×8	2	88261008	50	Mouth Cover	1
88280010	4	Stator 220V-240V	1	88271009	51	Mouth	1
88280055	4	Stator 100V	1	88271007	52	Shank Sleeve	1
88280030	4	Stator 110-120V	1	88261014	53	Fluorin O Ring Φ23.5×Φ5.2	1
88241010	6	Insulate Washer	2	88261007	54	Small Urethane Ring	1
88210043	7B	Tapping Screw ST4.8×65	2	88261001	55B	Heptagon Ring	1
88210055	8A	Φ5 Flat Washer	2	88310001	56A	Oil Felt	1
88261023	9	Fan Guide	1	88221009	57A	Felt Holder	1
88280011	10	Armature 220V-240V	1	88261004	58	Holder Seal	1
88280056	10	Armature 100V	1	88210032	59	Machine Screw M4X12	4
88280031	10	Armature 110-120V	1	88210050	60	Spring Washer Φ4	4
88210063	12	Φ32 Urethane Washer	1	88221010	61	Oil Gauge	1
88231003	13	Ball Bearing 6201 2RS C3	1	88221011	62	Cover Plate	1
88210029	14	Embedding Screws M5×10	3	88261003	63A	Cover Seal	1
88210002	15	Hex. Socket Bolt M5×12	11	88210028	64A	Embedding Screws M4X10	2
88210038	17	Tapping Screw ST4.2×18	5	88241021	66	Carbon Brush	2
88290013	18A	Inner Cover	1	88241002	67	Brush Cap	2
88231004	19	Ball Bearing 6203 2RS C3	1	88271003	70A	Front Cover	1
88221003	20	6203 2RS C3 Bearing Cover	1	88221013	71	Spring Cover	1
88231001	22	Ball Bearing 6001 2RZ C2	1	88210016	72D	Hex. Socket Bolt M8×30 (12.9)	6
88271002X	23	Counter Gear	1	88271005	73A	Locking Lever	1
88231002	24	Ball Bearing 6201 2RZ C2	1	88221027	74	Lever Spring	1
88231017	25	Ball Bearing 6205 2RS C0	1	88221032	75A	Locking Lever Cover	1
88221004	26	6205 2Z C2 Bearing Cover	1	88221018	77A	Needle Roller Φ4×18	1
88271004	27	Crank Shaft	1	88261028	78	Fan Cover	1
88221020	27B	Crank Shaft Ring	1	88241018	79D	Switch	1
88221001	28	Distance Ring	1	88261032	80A	Main Handle	1
88221019	29B	Woodruff Key 4×16	2	88210009	81	Hex. Socket Bolt M6×25	8
88271001	30	Final Gear	1	88221023	81A	Distance Piece	4
88233002	31	Ball Bearing 6302 2Z C2	1	88241005	82	Electric Capacity 0.33μF	1
88210066	31A	Φ22 Retaining Ring	1	88261016	83	Cord Armor	1
88221017	32	Pin Φ5x14	2	88250000	84	Cord	1
88290014	33A	Gear Cover	1	88261010	85A	Cord Clip	1
88210056	34	Φ6 Flat Washer	6	88210084	86	Flat Washer Φ4×Φ8	2
88210052	34A	Φ6 Spring Washer	6	88210001	87	Hex. Socket Bolt M4×12	2
88210136	35	Hex. Socket Bolt M6×45(12.9)	6	88241009	88	Electricity Feels 0.18μH	1
88271006	36A	Connecting Rod Ass'y	1	88261033	89	Main Handle Cover	1
88234004	37	Needle Bearing NK 1820	1	88271011	95	Side Handle Shaft	1
88221002	38	Crank Washer	1	88261036	96	Pressing Cap For Side Handle	1
88210018	38B	Hex. Socket Bolt M8×1×35	1	88261035	96A	Side Handle Armor	1
88210059	39	Φ8 Flat Washer	4	88210076	97	Rivet	2
88210053	39A	Φ8 Spring Washer	4	88261034	98	Insulate The Mat	1
88221005	40	6001 2RZ C2 Bearing Cover	1	88301003	901	5mm Hex.Bar Wrench	1
88261066	41B	O Ring Φ53×Φ2.5	1	88301004	902	6mm Hex.Bar Wrench	1
88290005	42	Piston	1	88301008	903	Wrench for Tank Cover	1
88261005	43	L- Ring Φ32×7	1	88304020	904	Oil Bottle	1
88271010	44	Piston Pin	1	88301001	905	3mm Hex.Bar Wrench	1
88271008	45	Cylinder	1	88301007	906	Dual Screw Driver	1
88290015	46	Aluminum Head	1				