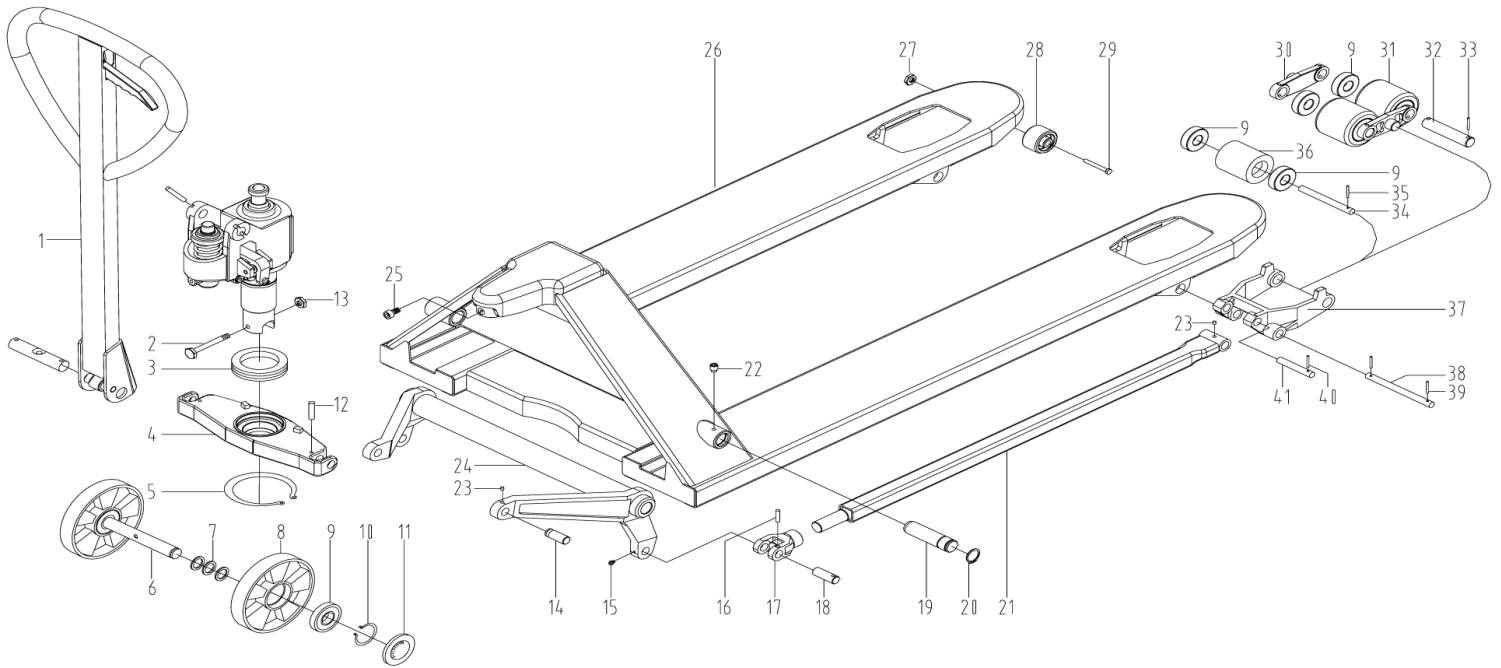


594980

PARTS BREAKDOWN



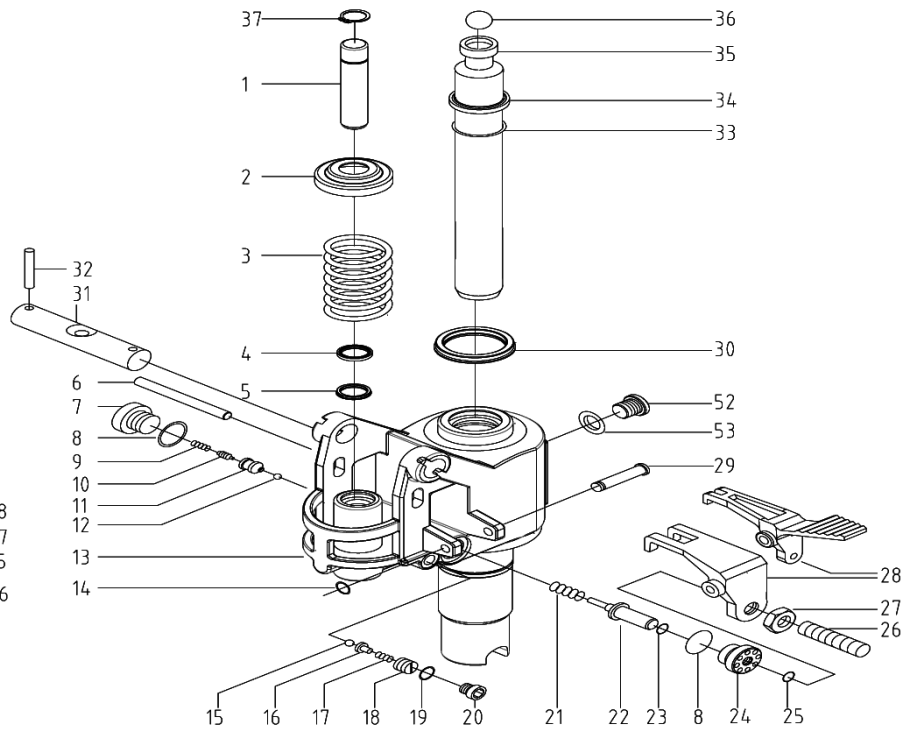
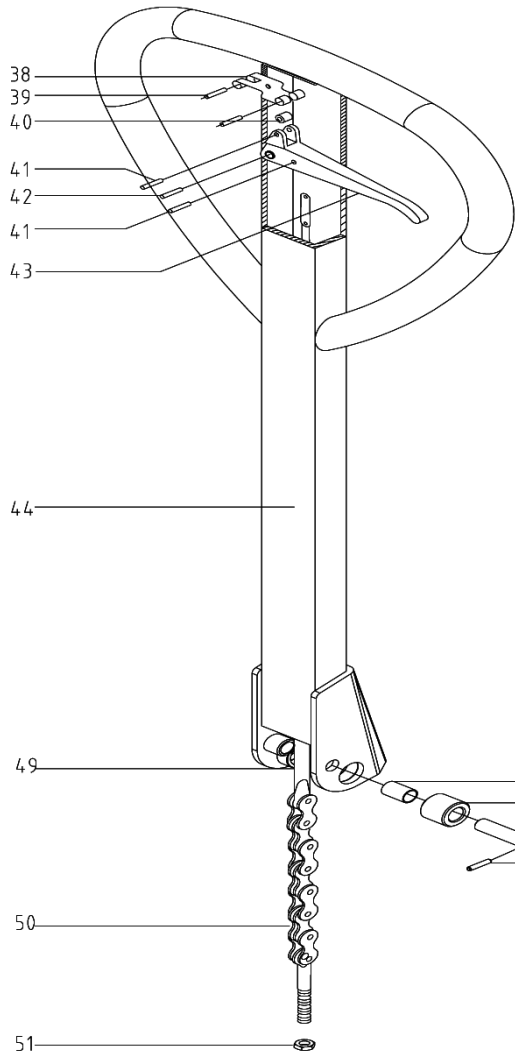
Component	Item Description
596376	Large PU Wheel Assembly Suit BFC6-4 Pallet Truck 596365 594980
596374	Single PU Wheel Assembly Suit BFC6-4 Pallet Truck 596365 594980
595398	Pallet Truck Bearing suit 594980
595401	Pallet Truck Big Wheel suit 594980
595402	Pallet Truck Bearing suit 594980
595403	Pallet Truck half Cirque suit 594980
595411	Pallet Truck Roll Ring suit 594980
595416	Pallet Truck Handle suit 594980
595418	Pallet Truck Seal Kit suit 594980
595397	Pallet Truck Pump suit 594980
595399	Pallet Truck Support Base suit 594980
595400	Pallet Truck Retaining Ring suit 594980
595404	Pallet Truck Bowl Washer suit 594980
595405	Pallet Truck Dust Cover suit 594980
595406	Pallet Truck Oiler suit 594980
595407	Pallet Truck Joint suit 594980
595408	Pallet Truck Straight Tappet suit 594980
595409	Pallet Truck Oiler suit 594980
595410	Pallet Truck Roll Sheath suit 594980
595412	Pallet Truck Frame of Front Fork suit 594980
595413	Pallet Truck Fork Wheel suit 594980
595414	Pallet Truck Wheel suit 594980
576642	Pallet Truck 2.5Tonne Capacity use 594980

<u>596141</u>	Pallet Truck 2.5 Tonne Handle Suit 594980
<u>595415</u>	Pallet Truck Blade Spring suit 594980
<u>595417</u>	Pallet Truck Chain suit 594980
<u>500636</u>	Rocker Assembly To Suit Pallet Truck Model 594980
<u>500417</u>	Ram/Pump Unit Complete To Suit 594980 Pallet Truck
<u>500419</u>	Back Large Wheel Complete To Suit 594980 Pallet Truck
<u>500418</u>	Ram/Pump Seal Kit Complete To Suit 594980 Pallet Truck
<u>500420</u>	Front Fork Wheel Complete To Suit 594980 Pallet Truck
<u>500421</u>	Hand Shank Assembly Complete To Suit 594980 Pallet Truck

Item	Code	Part No.	Definition	Quantity	Item	Code	Part No.	Definition	Quantity
1	BF12.1-00		Hand shank assembly	1	23	GB1155-74		Oil cup 6	4
2	GB/T5782-2000		Hexagon-headed bolt M6X55	1	24	BF.3-00		Rocker assembly	1
3	GB/T301-1995		Thrust ball bearing51110	1	25	GB70-85		Soket head cap screw M6X12	1
4	BF12-01		Cradle	1	26	BF12.2-00		Frame	1
5	GB/T894.1-86		Circlip for shaft 50	1	27	GB889-86		Locknut M6	2
6	BF12.4-01		Front axle 20X155	1	28	WEC-05		Guide pulley(black)	2
7	DF.5-01B		Spacer bush 20X28X2	6	29	GB5782-86		Hexagon bolt M6X55	2
8	DF-09		Bull wheel 180X50	2	30	AF.7-04		Support plate	4
9	GB278-86		Bearing 60204	8/12	31	AF.7-01		Fork wheel 74X70	4
10	GB/T894.1-86		Thicken circlip fpr shaft 19X1.5	2	32	SYBC.5-09		Axle 20X95	4
11	DF-10		Shield	2	33	GB879-86		Spring pin 5X32	8
12	GB879-86		Spring pin 5X32	2	34	AF.7-02		Axle 20X122	2
13	GB/T889.1-2000		locknut M6	1	35	GB879-86		Spring pin 5X32	2
14	BF-04		Pin roll 16X40	2	36	AF.7-01		Fork wheel 74X93	2
15	GB1152-79		Glib M6	2	37	BF12.3-01		Wheel carrier	2
16	GB879-86		Spring pin 5X28	2	38	BF12-02		Diorate pin roll 16X152	2
17	AF.7-05		Coupling head	2	39	GB879-86		Spring pin 5X32	2
18	DF-01		Pin roll 16X44	2	40	GB879-86		Spring pin 5X28	2
19	WEC-06		Intercalation Axis 25X95	2	41	SYBC.5-06		Pin roll 16X85	2
20	GB/T894.1-86		Circlip for shaft 25	2					
21	BF12.3.1-00		Connecting rod assembly	2					
22	GB/T79-2000		hexagon socket set screwsM8X10	2					

594980

PARTS BREAKDOWN



Item	Code	Part No.	Definition	Quantity	Remark
1	WEC.1-04		Pump Core	1	
2	AF.2-3	0909050002	Spring cap	1	
3	BF.2-05	0903060004	Spring cap	1	
4	DH18	0902040007	Dust ring 18	1	
5	UHS18	0902030005	Y-seal ring 18	1	
6	AM-19	0906150004	Lock-in stick	1	
7	JF.1-17	0901120015	Sealing screw M20X1.5	1	
8	JB982-77	0902010009	Combination washer 20	2	
9	AF.2-9	0903060001	Spring	1	
10	SYBC.2-07	0901080002	Pump Core	1	
11	SYBC.2-08	0901070004	Valve body	1	
12	GB308-77	0907010012	Steel ball 6.35	1	
13	WEC.1-01		Foundation	1	
14	GB894.1-86	0908320003	Circlip for shaft8	1	
15	GB308-77	0907010010	Steel ball 5	1	
16	CN.2-26	0901100008	Ball seat	1	
17	CN.2-27	0903040001	Spring 2X8X16	1	
18	CN.2-28	0901120001	Pressure regulating bolt M10X1	1	
19	JB982-77	0902010004	Combination washer 10	2	
20	CN.2-17	0901120033	Screw M10X1	2	
21	BF.2-5	0903020001	Spring 1.2X9.8X22	1	
22	AF.2-7	0901090002	Firing pin	1	
23	GB3452.1-82	0902050009	O type ring 7X1.8	1	

Item	Code	Part No.	Definition	Quantity	Remark
24	WEC.1-02		Firing pin seat	1	
25	GB3452.1-82	0902050013	O type ring 8X2.65	1	
26	GB73-85	0908170014	Slotted set screws with flat point M6X25	1	
27	GB6170-86	0908030012	Hexnut M6	1	
28	AF.2-08a	1120050001	Lever plate	1	Standard
	AF.2-8c	1120050003	Lever plate 3	1	Step tread
29	BF.2-3	0906070010	Pin roll 8X58	1	
30	UHS31.5	0902030021	Seal ring 31.5	1	
31	BF-01		Axle	1	
32	GB879-86		Spring pin 5X40	2	
33	GB3452.1-82	0902050059	O type ring 31.5X3.55	1	
34	DHS31.5	0902040018	Dust ring 31.5	1	
35	AF.2-4	0901010006	Plunger 31.5X263	1	
36	GB308-77	0907010026	Steel ball 19.05	1	
37	GB894.1-86		Thicken Circlips for shaft17X1.5	1	
38	DF.1-01a	0909040023	Locating plate	1	
39	GB879-86	0908500015	Spring pin4X30	2	
40	DF.1-02	0904010006	Idler wheel	1	
41	GB879-86	0908500012	Spring pin 4X20	2	
42	GB879-86	0908500038	Spring pin 6X30	1	
43	DF.1-03	0909170001	Small handle	1	
44	BF12.1.1-00		Hand shank	1	

Item	Code	Part No.	Definition	Quantity	Remark
45	DFI.2-04	0906040002	Round pin	1	
46	GB879-86	0908500003	Spring pin 3X20	1	
47	CN.2-13	0909120016	Pinch roller	1	
48	CSB10	0907040011	Bush 1220	1	
49	DF.1.2-00		Draw bar assembly	1	
50			Chain C-6-9-04A	1	
51	GB889-86	0908010003	Locknut M5	1	
52	AM.2-15		Oil plug	1	
53	GB3452.1-82		O type ring 2.65X10	1	