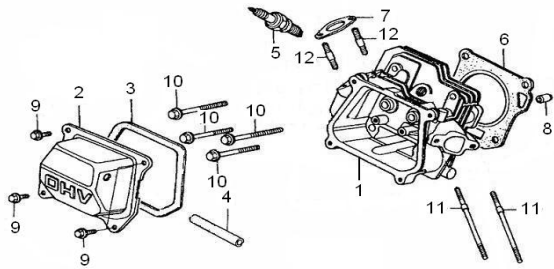
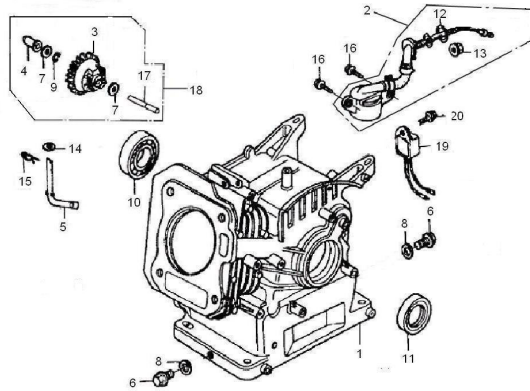


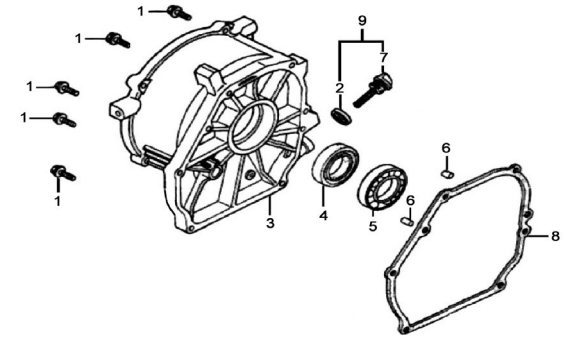
CYLINDER HEAD



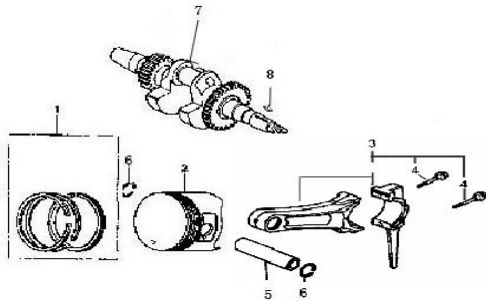
CRANK CASE



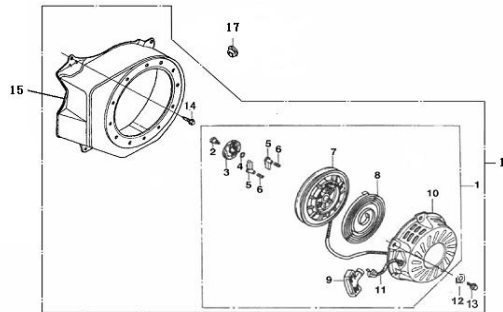
CRANKCASE COVER



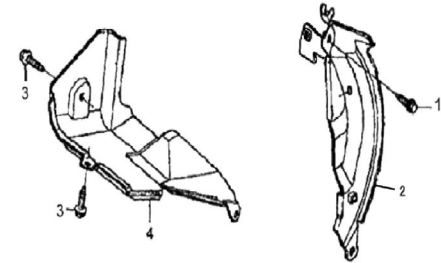
CRANKSHAFT PISTON



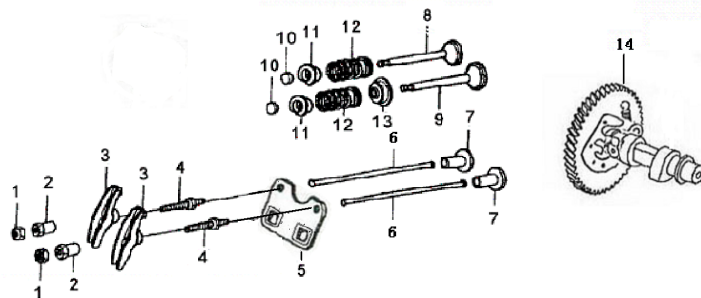
STARTER SUBASSEMBLY



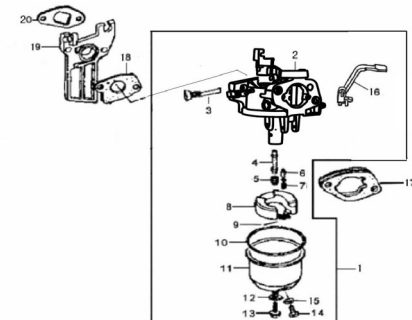
DIVERSION ASSY.



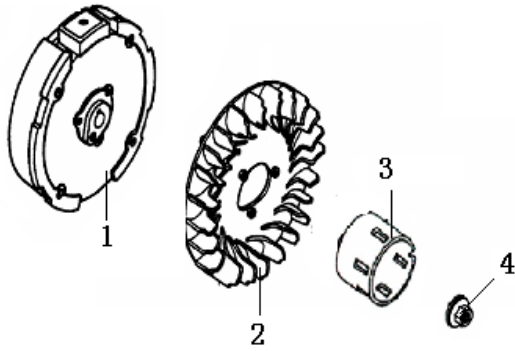
GAS DISTRIBUTION ADJUSTMENT



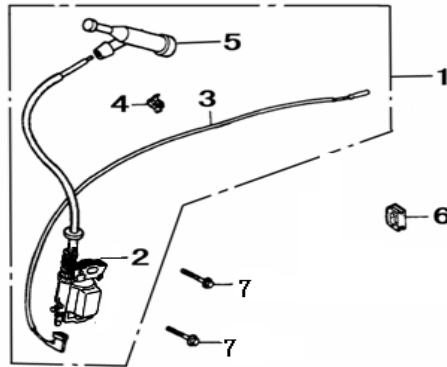
CARBURETOR



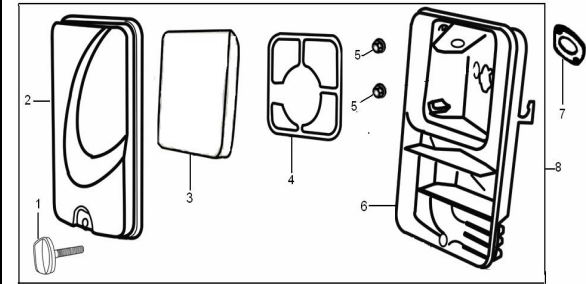
FLYWHEEL



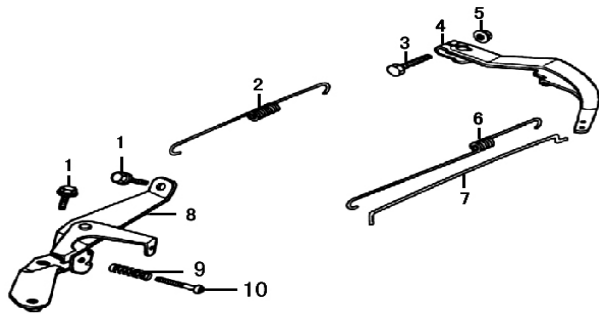
IGNITION COMP.



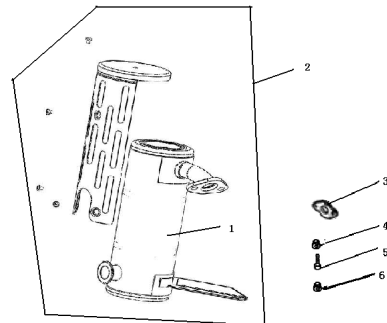
AIR CLEANER



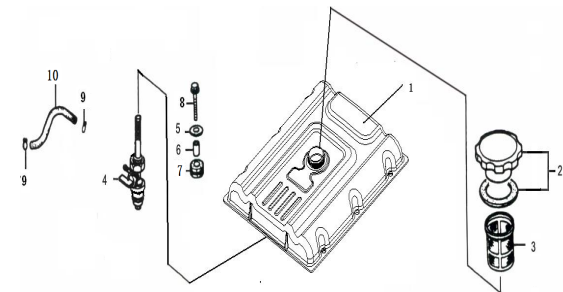
CONTROL



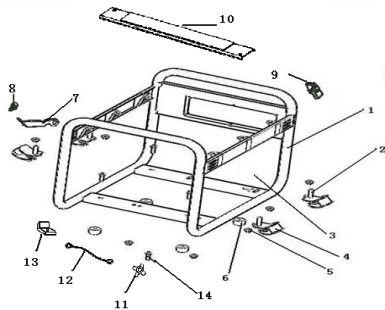
MUFFLER



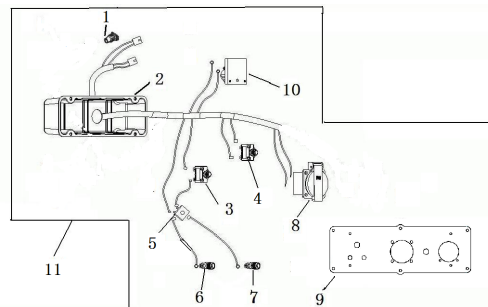
FUEL TANK



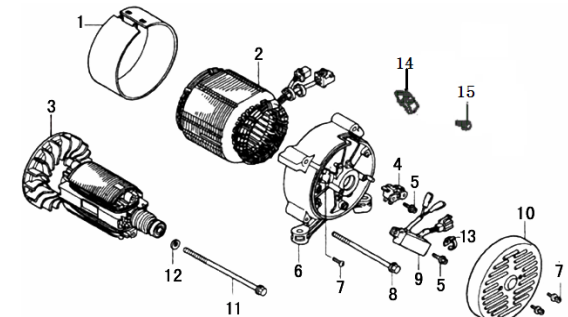
FRAME

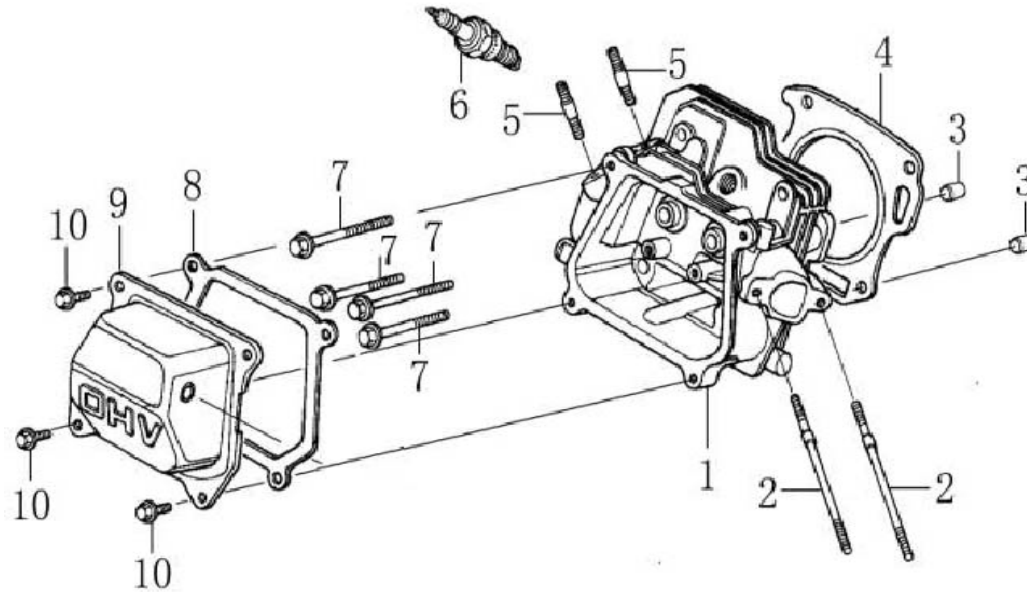


CONTROL PANEL



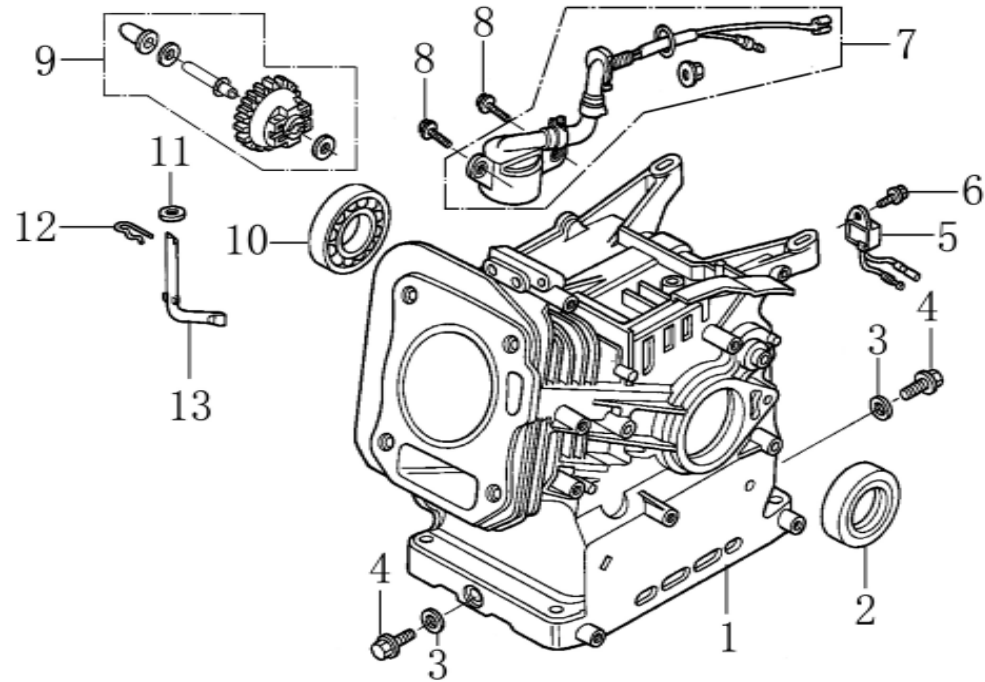
ROTOR. STATOR





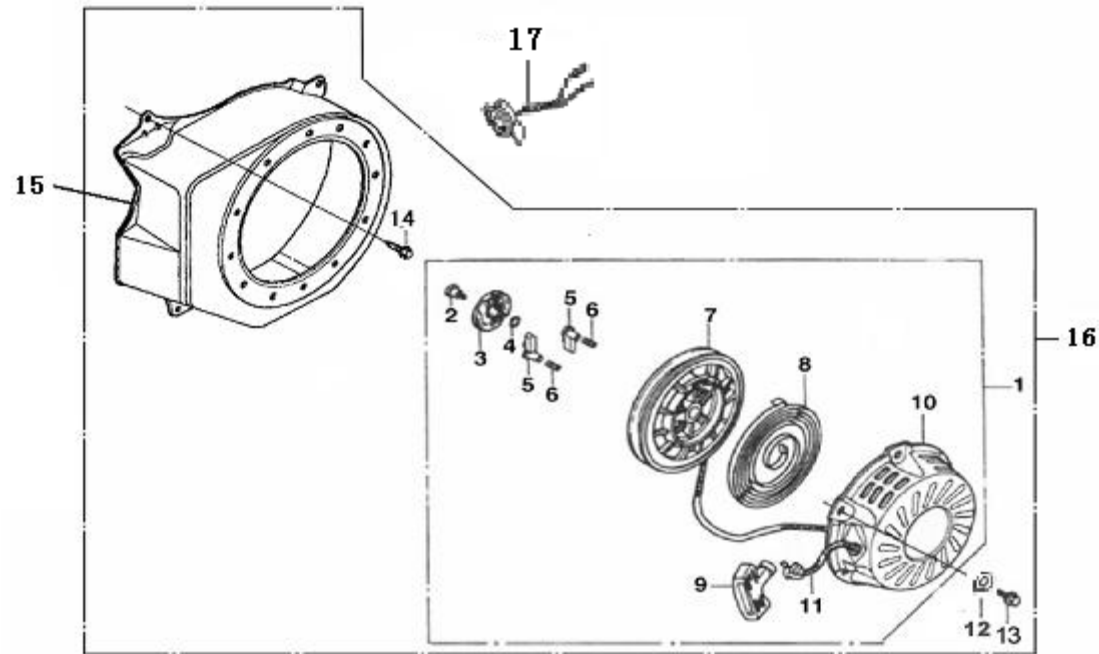
CYLINDER HEAD

No.	Part No.	Description	(Reqd. QTY)
1	120080276-T050	HEAD COMP., CYLINDER	1
2	120220008-T040	COVER COMP., HEAD	1
3	120250013-T040	PACKING , HEAD COVER	1
4	380740453-T520	TUBE , BREATHER	1
5	270960025-T040	PLUG , SPARK	1
6	120150070-T050	GASKET , CYLINDER	1
7	180650065-T05K	GASKET , MUFFLER	1
8	380600117-T040	PIN , DOWEL 10×14	2
9	380140215-0003	BOLT , FLANGE M6×14	4
10	380140336-T040	BOLT , FLANGE M8×60	4
11	380180095-T520	BOLT , STUD , IN. 6×96	2
12	380180098-T040	BOLT , STUD , EX. 8×34	2



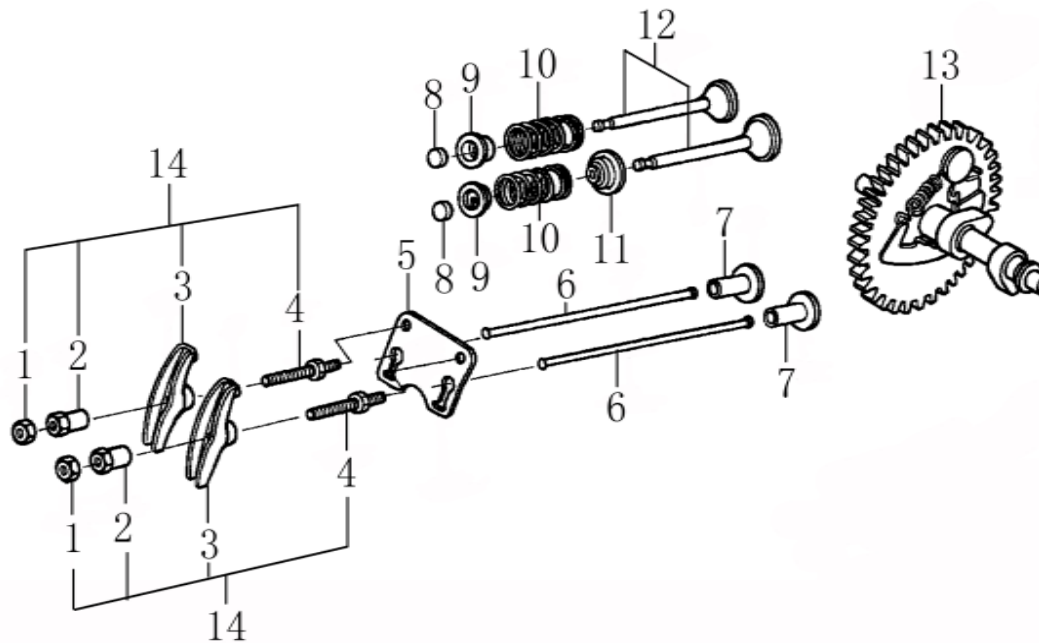
CRANKCASE

No.	Part No.	Description	Reqd. QTY
1	110810006-T050	CRANK CASE	1
2	380650334-T040	OIL SEAL 25×41.25×6	1
3	380450514-T040	WASHER , DRAIN PLUG10×16×1.5	2
4	110260025-T040	BOLT , DRAIN PLUG M10×1.25×15	2
5	281890001-T040	ALART UNIT,OIL	1
6	380140011-0004	BOLT , FLANGE M6×10	1
7	281850150-T040	OIL LEVEL SWITCH	1
8	380140215-0003	BOLT , FLANGE M6×14	2
9	171750001-T040	GEAR CUP ASSY.,GOVERNOR	1
10	380630137-0002	BEARING 6205	1
11	380450531-T040	WASHER 6×13×1	1
12	381350004-T040	PIN , LOCK	1
13	171630001-T040	SHAFT , GOVERNOR ARM	1



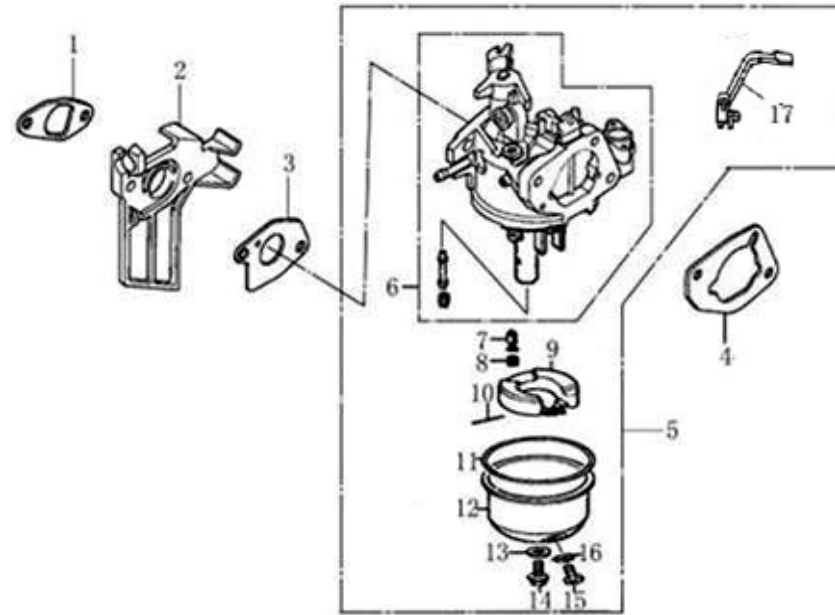
STARTER SUBASSEMBLY

No.	Part No.	Description	Reqd. QTY
1	193500008-T040	STARTER ASSY.	1
2	380020067-T040	SCREW , SETTING	1
3	193550003-T040	GUIDE , RATCHET	1
4	381150342-T040	SPRING , FRICTION	1
5	193540003-T040	RATCHET , STARTER	2
6	381160090-T040	SPRING , RETURN	2
7	193520003-T040	REEL , RECOIL STARTER	1
8	193340018-T040	SPRING , RECOIL STARTER	1
9	193560003-T040	KNOB , RECOIL STARTER	1
10	193640002-T040	CASE COMP, RECOIL STARTER	1
11	193530004-T040	ROPE	1
12	380450004-0003	WASHER	3
13	380140089-0003	BOLT,FLANGE 6×8	3
14	380140011-0004	BOLT,FLANGE 6×10	4



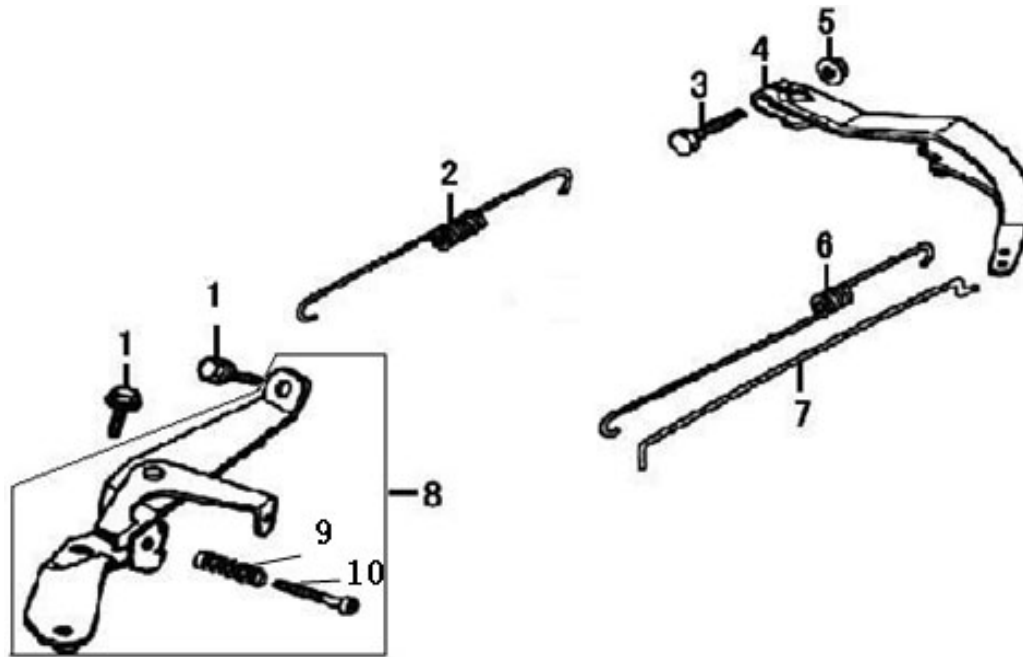
GAS DISTRIBUTION ADJUSTMENT

No.	Part No.	Description	Reqd. QTY
1	140470001-T040	NUT , PIVOT ADJUSTING	2
2	140490012-T040	PIVOT , ROCKER ARM	2
3	140460030-T040	ROCKER ARM	2
4	140480012-T040	BOLT , PIVOT , ARM	2
5	140710001-T040	PLATE ASSY.,	1
6	140670004-T040	ROD , PUSH	2
7	140690003-T050	LIFTER , VALVE	2
8	140320001-T040	RATOTOR , VALVE	2
9	140380017-T040	RETAINER , VALVE SPRING	2
10	140340022-T040	SPRING , VALVE	2
11	140400011-T040	SEAL , VALVE STEM	1
12	500550024-T040	VALVE KIT	1
13	140020047-T050	CAMSHAFT ASSY.	1
14	140450022-T040	ROCKER ARM COMP.	1



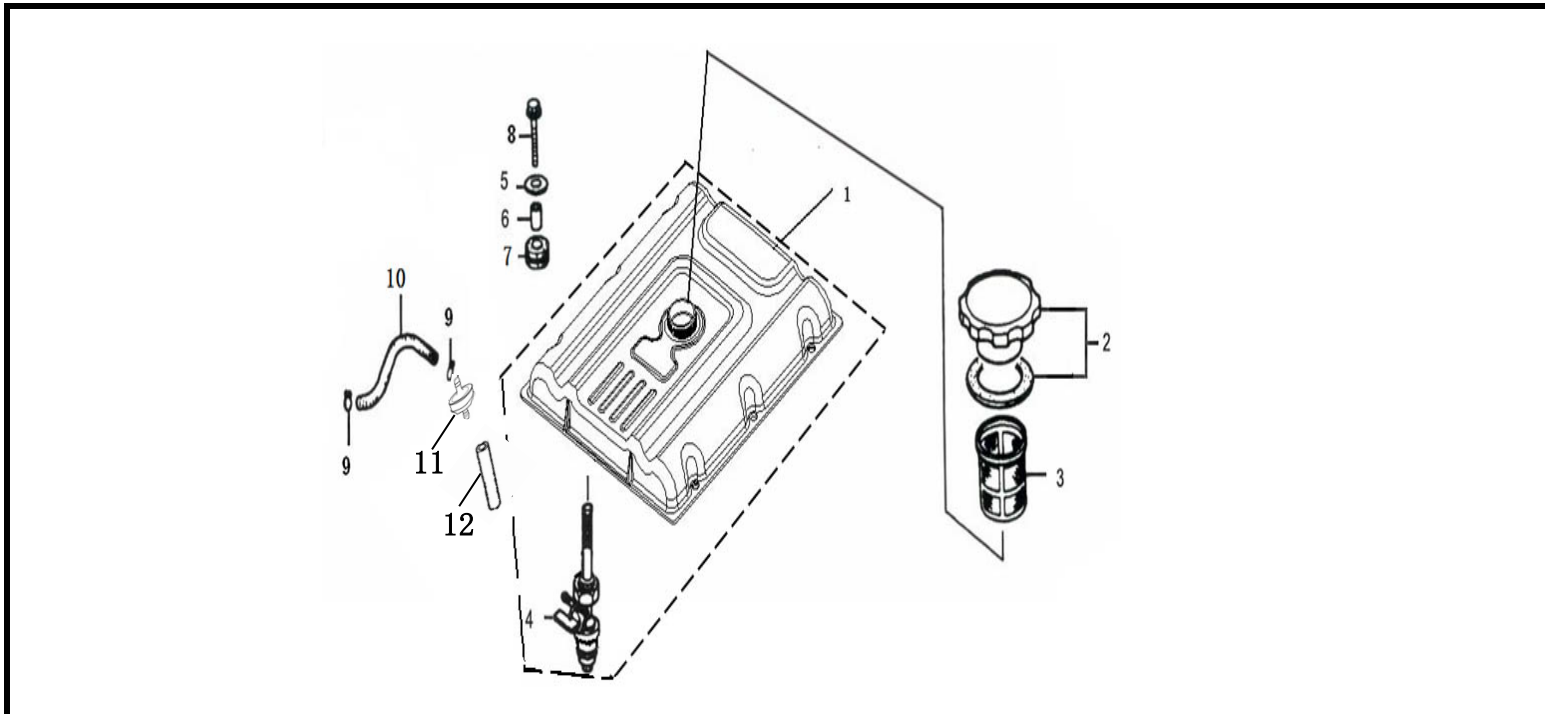
CARBURETOR

No.	Part No.	Description	Reqd. QTY
1	170430060-T05K	PACKING,NTAKE	1
2	170440038-T040	INSULATOR , CARBURETOR	1
3	170430048-T05K	PACKING .CARBURETOR	1
4	170430065-T040	GASKET, AIR CLEANER	1
5	170021071-T520	CARBURETOR	1
6	170160039-T520	CARBURETOR'S NOUMENON	1
7	170180050-T040	VALVE , FLOAT	1
8	381150336-T040	SPRING , VALVE SET	1
9	170280019-T040	FLOAT	1
10	170290017-T040	PIN , FLOAT	1
11	380840455-T040	GASKET , OIL CUP	1
12	170250021-T040	OIL CUP	1
13	380450539-T040	GASKET , OIL CUP	1
14	380140353-T040	BOLT , OIL CUP	1



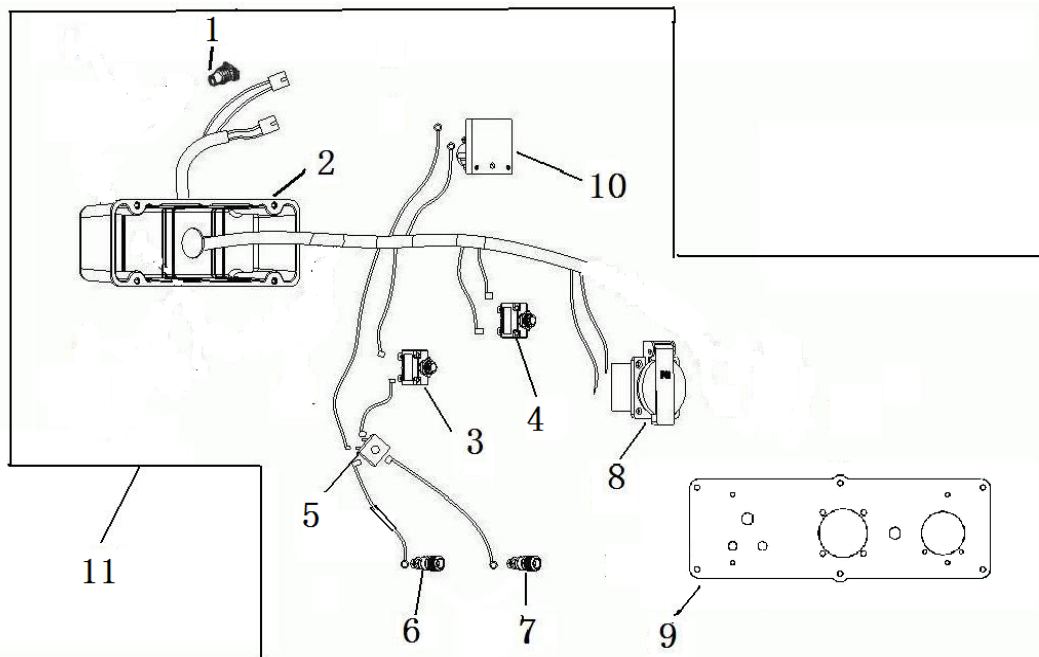
CONTROL SYSTEM

No.	Part No.	Description	Reqd. QTY
1	380140011-0004	BOLT, FLANGE, 6×10	2
2	171600003-T520	SPRING, GOVERNOR	1
3	380250002-T040	BOLT, QUADRATE HEAD	1
4	171620001-T040	ARM, GOVERNOR	1
5	380370048-0001	NUT, FLANGE	1
6	171610006-T520	SPRING, THROTTLE RETURN	1
7	171590004-T040	ROD, GOVERNOR	1
8	171680004-T520	RETAINER, CONTROL ASSY.	1
9	171660001-T040	SPRING	1
10	380200017-0005	SCREW , 5×35	1



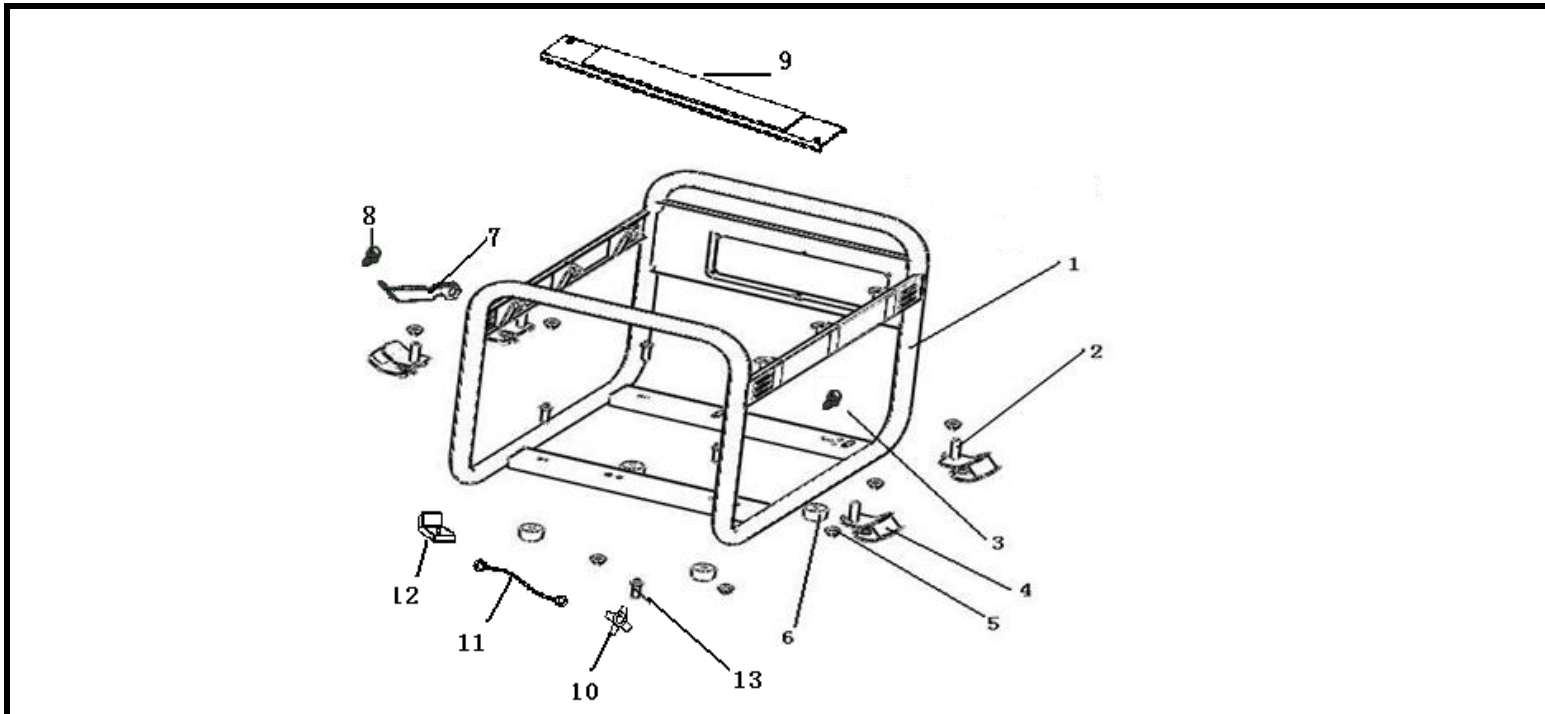
FUEL TANK

No.	Part No.	Description	Reqd. QTY
1	170490890-T52R	TANK COMP., FUEL	1
2	170870101-T611	CAP COMP.,FUEL FILLER	1
3	170720011-T611	FILTER, FUEL TANK	1
4	170980081-T251	COCK COMP., FUEL	1
5	380450444-0002	WASHER $\phi 6 \times \phi 25 \times 2$	6
6	170710014-T520	COLLAR, TANK CUSHION	6
7	170700125-0001	RUBBER, FUEL CUSHION	6
8	380140103-0004	BOLT, FLANGE, 6 \times 25	6
9	380950188-0001	CLIP, TUBE	2
10	380750506-T53A	TUBE, FUEL	1
11	170010017-T350	STRAINER,FUEL	1
12	380750507-T53A	TUBE, FUEL	1



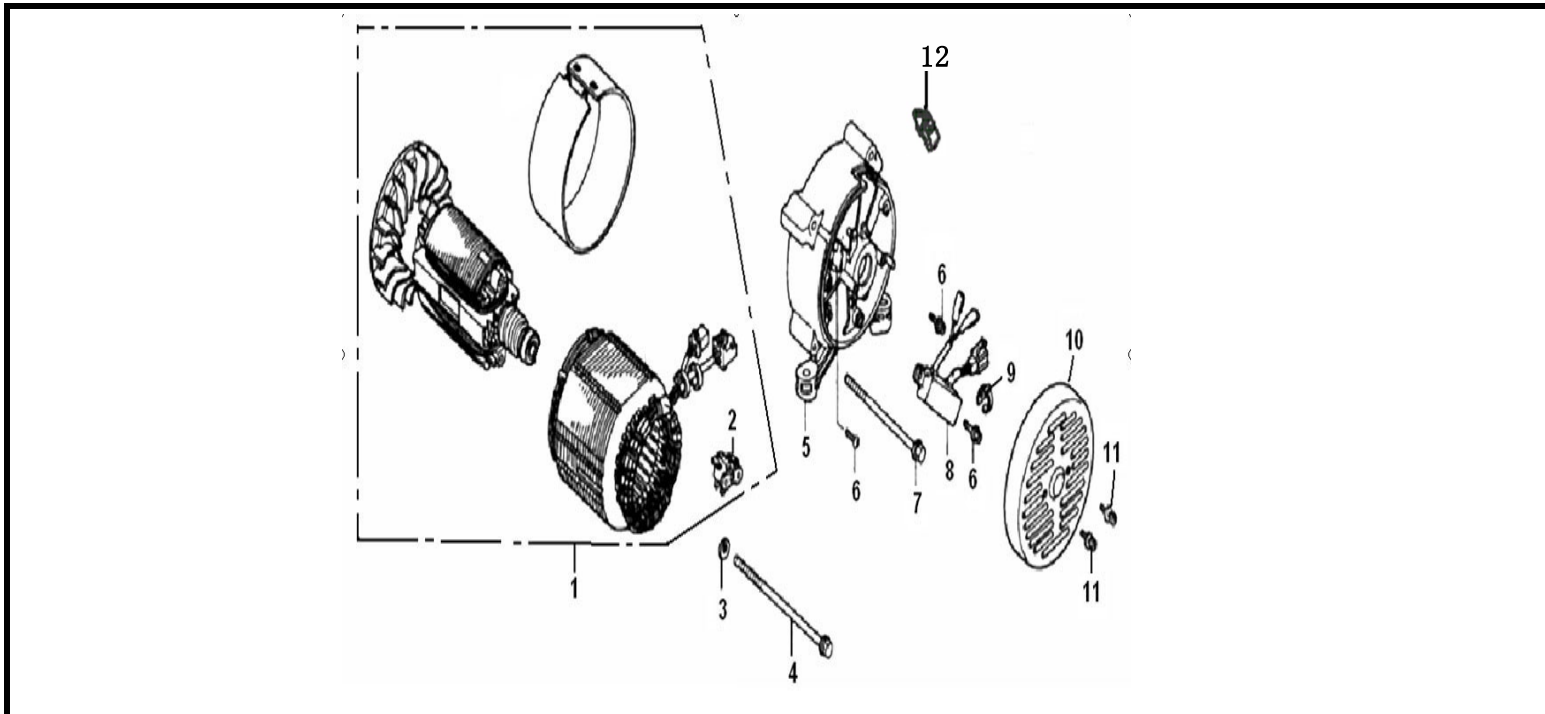
CONTROL PANEL

No.	Part No.	Description	Reqd. QTY
1	380930032-T560	GROMMET	1
2	271950018-T52R	CASE, CONTROL PANEL	1
3	271290033-T520	PROTECTOR, CIRCUIT	1
4	271290033-T520	PROTECTOR, CIRCUIT	1
5	271920001-T566	RECTIFIER BRIDGE	1
6	272080001-T523	POST, ANODE	1
7	272090001-T523	POST, CATHODE	1
8	271890022-T560	SOCKET	1
9	271860104-T52R	CONTROL PANEL	1
10	281910009-T520	VOLTMETER	1
11	271851124-T52R	CONTROL PANEL ASSY	1



FRAME

No.	Part No.	Description	Reqd. QTY
1	300720215-T52R	FRAME COMP	1
2	300790001-T520	RUBBER, RIGHT BOTTOM	2
3	380140215-0003	BOLT , FLANGE M6×14	4
4	300780001-T520	RUBBER, LEFT BOTTOM	2
5	380370007-0004	NUT, FLANGE	8
6	300770005-0001	RUBBER , SHOCK ABSORBER	4
7	300710057-T520	STAY, AIR CLEANER	1
8	380140215-0003	BOLT , FLANGE M6×14	3
9	170650017-T52R	FUEL TANK BRACKET	1
10	381630001-T560	GASKET	1
11	272980006-T525	GOUND LINE	1
12	272030006-T501	TERMINALI SET,EARTH	1
13	380140333-0004	BOLT 6X18	1



ROTOR. STATOR

No.	Part No.	Description	Reqd. QTY
1	660080284-T52R	ALTERNATOR PARTS	1
2	660120002-T520	BRUSH ASSY	1
3	380450524-T520	WASHER,PLAIN	1
4	380070291-T52R	BOLT , HEX	1
5	660010001-T520	HOUSING,RR	1
7	380140346-T530	BOLT,FLANGE	4
8	660150109-T512	REGULATOR ASSY., VOLTAGE	1
9	380900061-T560	TIE,CABLE	1
10	660020005-T520	COVER,GENERATOR	1
11	380140167-0002	BOLT,FLANGE	4
12	660030001-T520	PLATE, GUARD	1