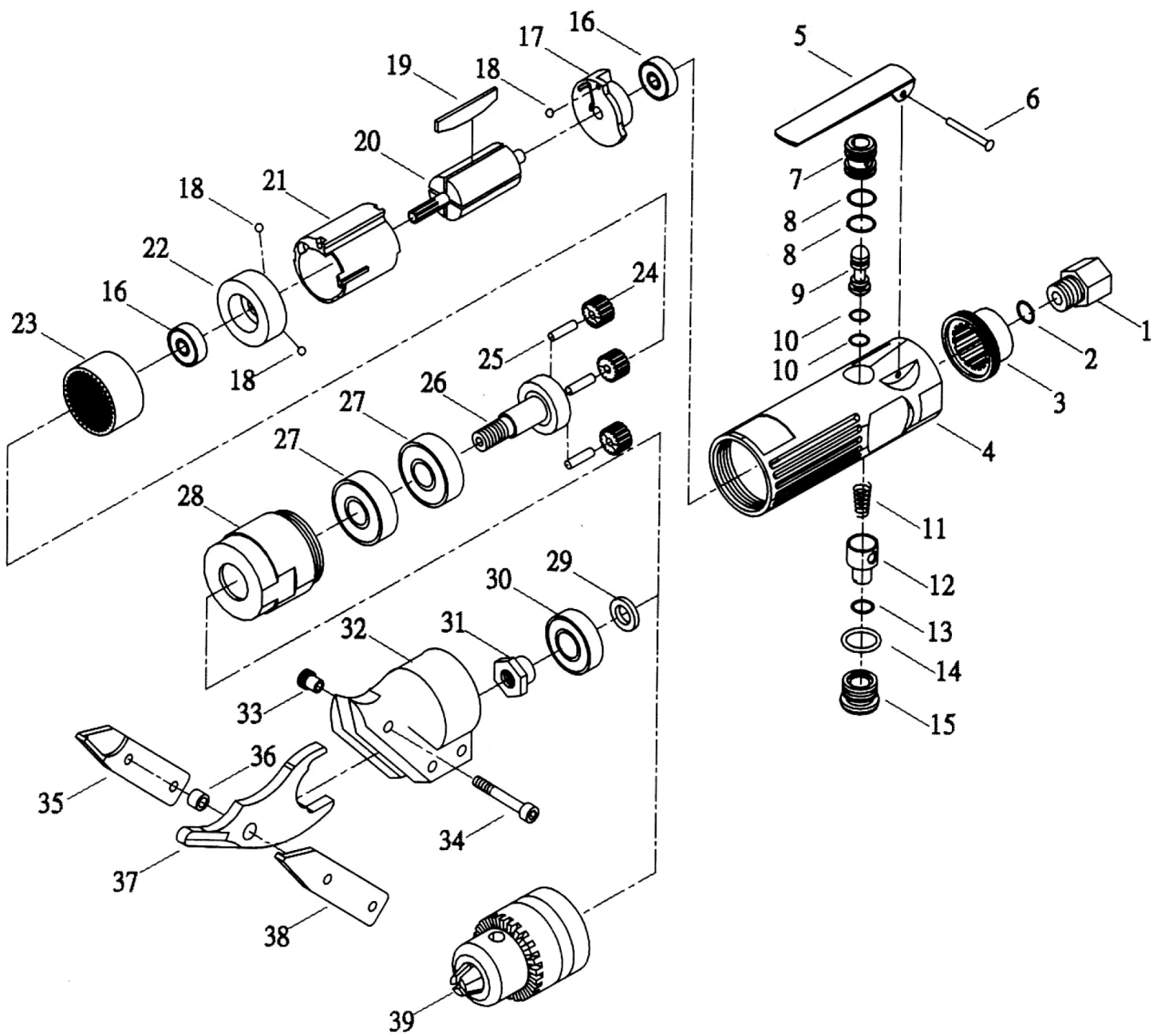


534981

PARTS BREAKDOWN



AT-6020

No.	Part No.	Description	QTY.	No.	Part No.	Description	QTY.
01	KL-20301	Air inlet	1	21	KL-20321	Cylinder	1
02	KL-AS012	"O"Ring	1	22	KL-30322	Front End Plate	1
03	KL-20302	Exhaust Deflector	1	23	KL-30426	Ring Gear	1
04	KL-30305	Housing	1	24	KL-30423	Gear	3
05	KL-20315	Control Lever	1	25	KL-30424	Pin	3
06	KL-20314	Pin	1	26	KL-30425	Idler Gear Plate	1
07	KL-20313	Bashing	1	27	KL-16201C	Bearing	2
08	KL-AS012	"O"Ring	2	28	KL-30328	Bearing And Gerar Cap	1
09	KL-20310	Valve	1	29	KL-30429	Washer	1
10	KL-AS008	"O"Ring	2	30	KL-21932	Bearing	1
11	KL-20308	Spring	1	31	KL-21933	Excentric Nut	1
12	KL-20307	Air Regulator	1	32	KL-21934	Cutter Housing	1
13	KL-AS011	"O"Ring	1	33	KL-21935	Lock Nut	3
14	KL-AS111	"O"Ring	1	34	KL-21936	Lock Screw	3
15	KL-20304	Valve Screw	1	35	KL-21937	Left Blade	1
16	KL-16262	Bearing	2	36	KL-21938	Spacer	2
17	KL-20317	Rear End Plate	1	37	KL-21939	Center Blade	2
18	KL-20318	Ball	3	38	KL-21940	Right Blade	1
19	KL-20319	Rotor Blades	5	39	KL-30430T	Chuck & Key	1
20	KL-30418	Rotor	1				