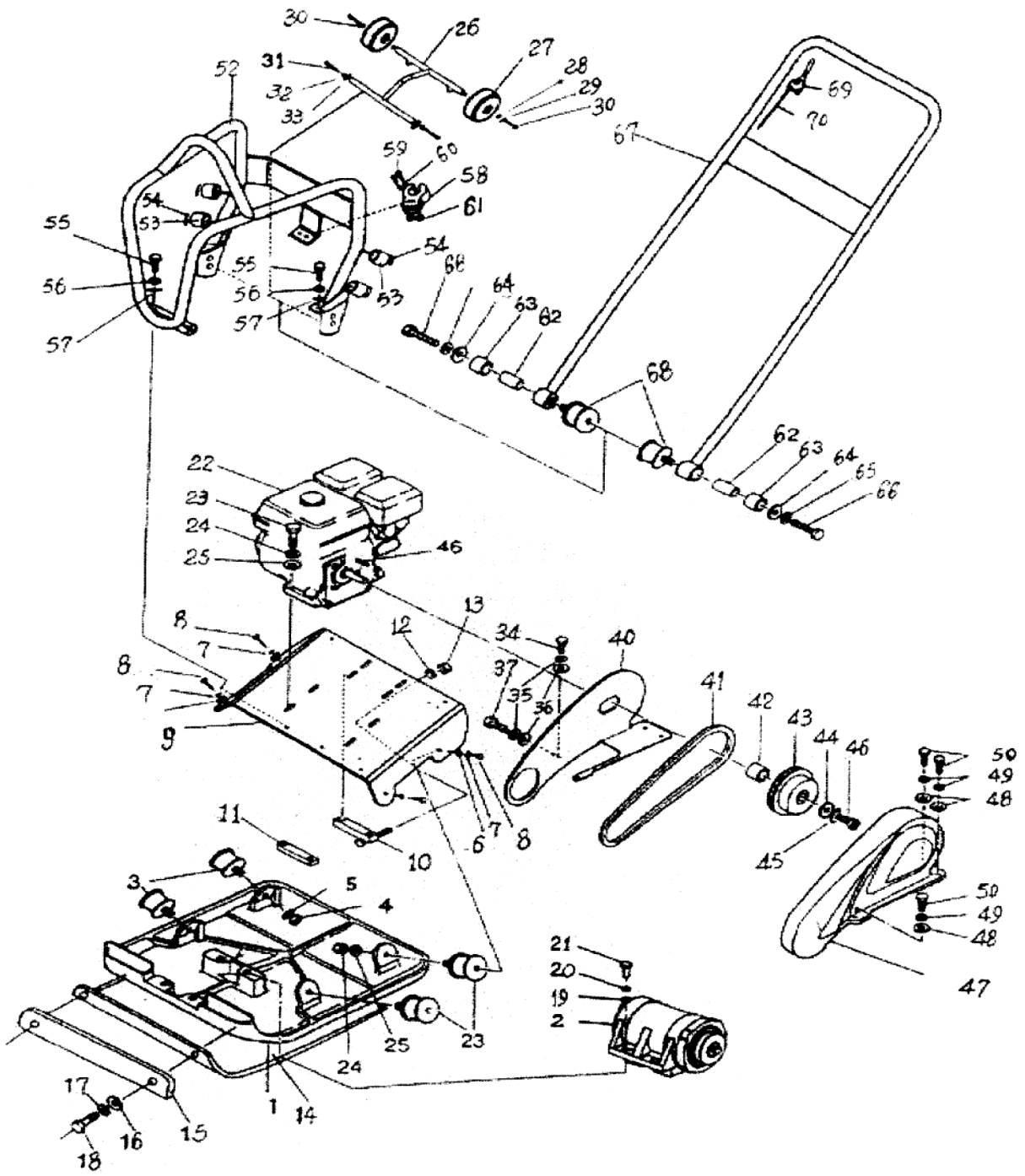


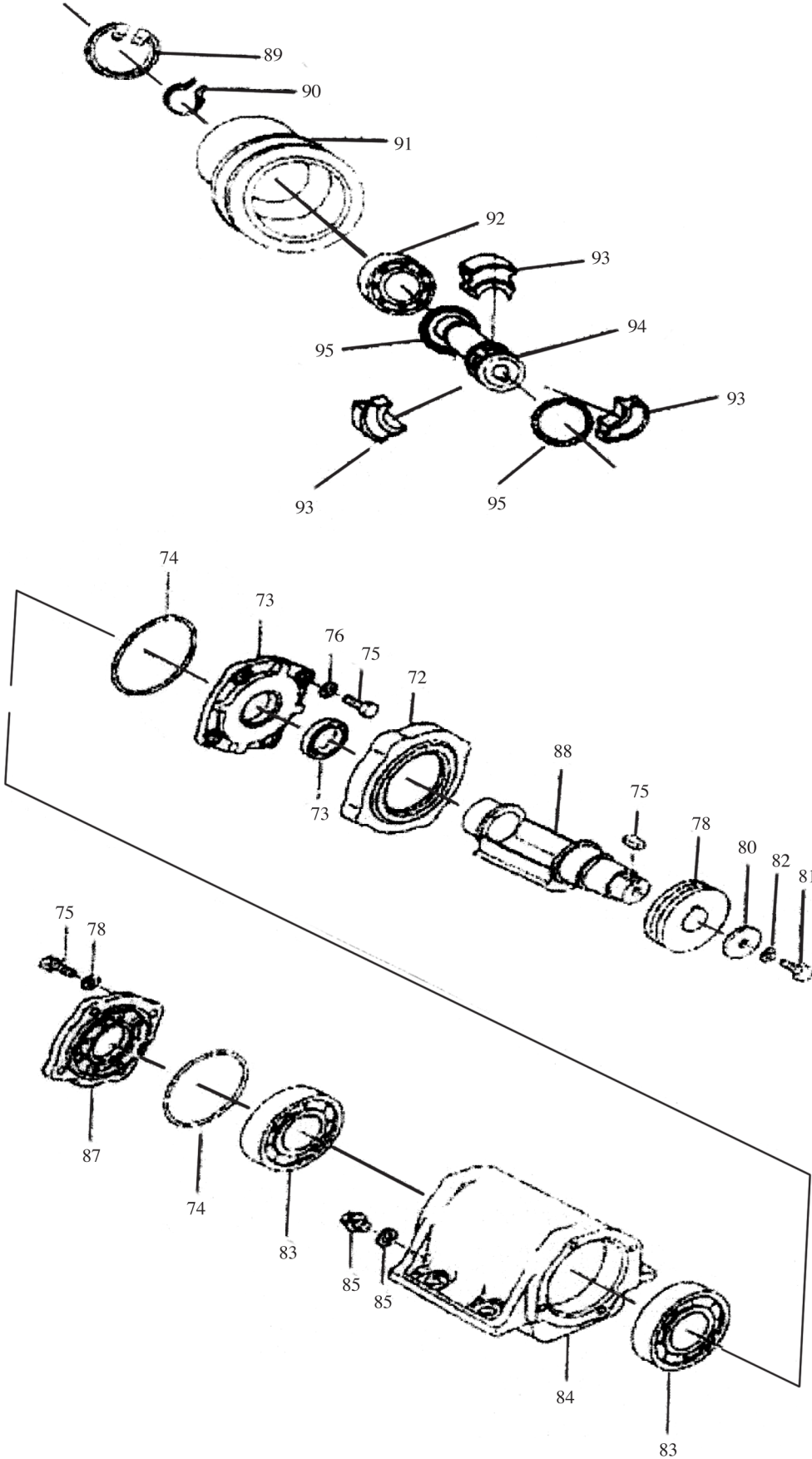
# 594501 PARTS BREAKDOWN



ITEM NO.	PART NO.	DESCRIPTION	QUANTITY
1	900001	BASE PLATE	1
2	900002	VIBRATOR ASSY	1
3	900003	VIBRATION ABSORBER	4
4	900004	NUT M10-GB6184	4
5	900005	SPRING WASHER 10-GB93	4
6	900006	FLAT WASHER 10-GB95	4
7	900007	SPRING WASHER 10-GB93	4
8	900008	BOLT M10X30-GB5781	4
9	900009	ENGINE MOUNTING PLATE	1
10	900010	DIESEL ENGINE NUT M8	1
		PETROL ENGINE NUT M8	
11	900011	ENGINE NUT M8	1
12	800012	PLATE WASHER 8-GB95	1
13	900013	LOCK NUT M8-GB6184	1
14	900014	RUBBER PLATE	1
15	900015	FIX STRIP	1
16	900016	FLAT WASHER 10-GB95	2
17	900017	SPRING WASHER 12-GB93	2
18	900018	BOLT M10X30-GB5780	2
19	900019	FLAT WASHER 16-GB95	4
20	900020	SPRING WASHER 12-GB93	4
21	900021	BOLT M10X30-GB5781	4
22	900022	ENGINE	1
23	900023	BOLT M10X30-GB5781	4
24	900024	SPRING WASHER 8-GB93	4
25	900025	FLAT WASHER 8-GB95	4
26	900026	WHEEL STAND	1
27	900027	WHEEL	2
28	900028	FLAT WASHER 8-GB95	2
29	900029	SPRING WASHER 8-GB93	2
30	900030	BOLT M8X25-GB5781	2
31	900031	BOLT M8X25-GB5781	2
32	900032	SPRING WASHER 8-GB93	2
33	900033	SLEEVE	2
34	900034	BOLT M8X25-GB5781	1
35	900035	SPRING WAHSER 8-GB95	2
36	900036	FLAT WASHER 8-GB95	2
37	900037	BOLT M8X20-GB70	1
38	900038		
39	900039		
40	900040	INSIDE BELT COVER FOR DIESEL ENGINE	1
		INSIDE BELT COVER FOR DIESEL ENGINE	1

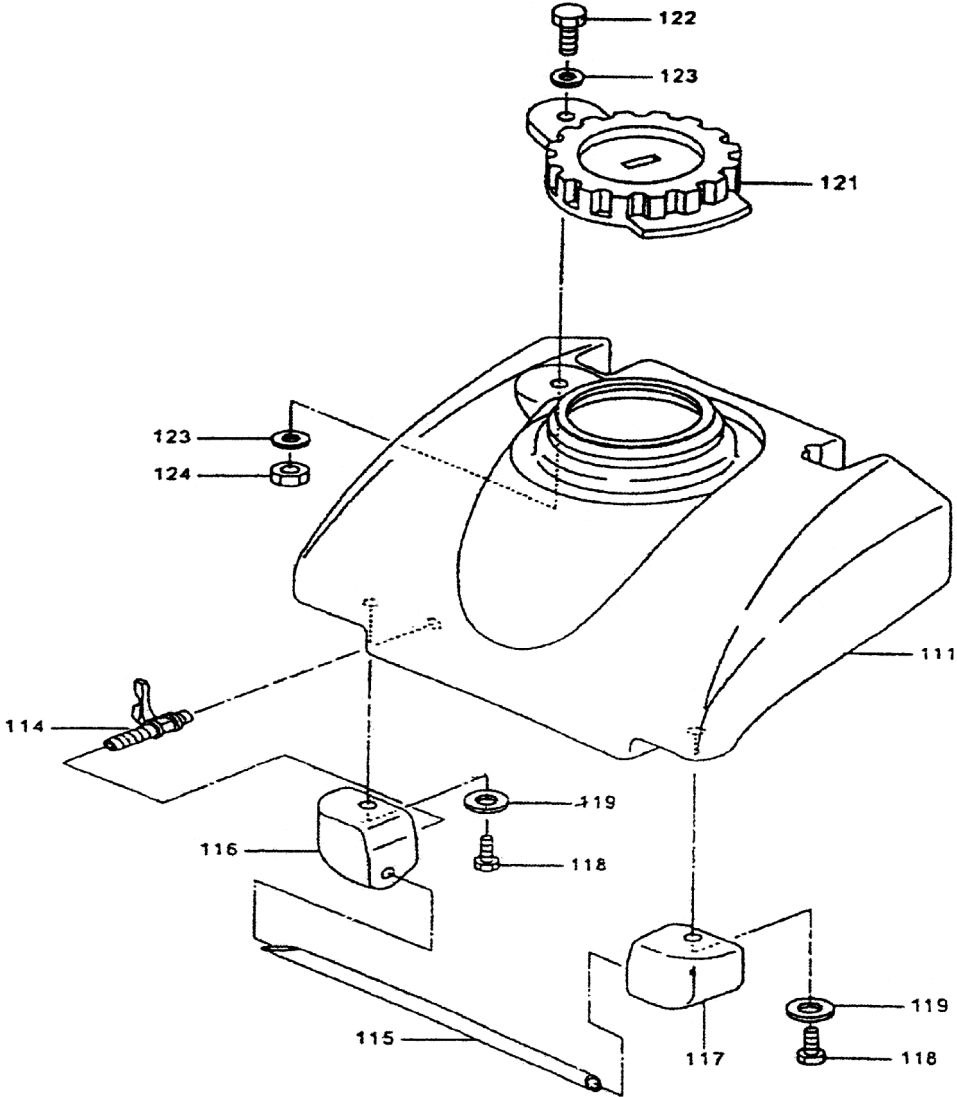
41	900041	V-BELT FOR DIESEL ENGINE	1
		V-BELT FOR PETROL ENGINE	1
42	900042	CLUTCH PULLEY WASHER	1
43	900043	CLUTCH PULLEY ASSY	1
44	900044	FLAT WASHER 8-GB95	1
45	900045	SPRING WASHER 8-GB93	1
46	900046	BOLT M8x25-GB5783	1
47	900047	BELT COVER FOR DIESEL ENGINE	1
		BELT COVER FOR PETROL ENGINE	1
48	900048	FLAT WASHER 8-GB95	3
49	900049	SPRING WASHER 8-GB93	3
50	900050	BOLT M8x40-GB5781	3
51	900051		
52	900052	GUARD HOOK	1
53	900053	RUBBER COLLAR	4
54	900054	CIRCLIP EXT12-GB894.1	4
55	900055	BOLT M10x30-GB5781	3
56	900056	SPRING WASHER10-GB93	3
57	900057	FLAT WASHER 10-GB95	3
58	900058	RUBBER CLIP	1
59	900059	BOLT M6X30-GB5781	2
60	900060	FLAT WASHER 6-GB95	4
61	900061	LOCK NUTM6-GB6184	2
62	900062	STEEL COLLAR	2
63	900063	RUBBER COLLAR	2
64	900064	FLAT WASHER 12-GB95	2
65	900065	SPRING WASHER 10-GB93	2
66	900066	BOLT M12X65-GB5780	2
67	900067	HANDLE	1
68	900068	RUBBER MOUNT	2
69	900069	THROTTLE CONTROL LEVEL	1
70	900070	THROTTLE CONTROL WIRE	1

# 594501 PARTS BREAKDOWN



ITEM NO.	PART NO.	DESCRIPTION	QUANTITY
71	90002-1	CASE COVER (L)	1
72	9002-2	PROTECTIVE COVER	1
73	90002-3	OIL SEAL 35X48X10-GB9877	1
74	90002-4	O-RING 100-GB3452.1	1
75	90002-5	BOLT M8X25-GB5783	8
76	90002-6	SPRING WASHER 8-GB93	8
77	90002-7	FLAT WASHER 8-GB96	8
78	90002-8	PULLEY	1
79	90002-9	KEY C8-GB1096	1
80	90002-10	PULLEY WASHER	1
81	90002-11	BOLT M10X25-GB-GB5783	1
82	90002-12	SPRING WASHER 10-GB93	1
83	90002-13	BEARING 6211-GB276	2
84	90002-14	VIBRATING PIECE	1
85	90002-15	PACKING PIECE	1
86	90002-16	PLUG SCREW M14X1.5	1
87	90002-17	CASE COVER (R)	1
88	90002-18	ECCENTRIC ROTATOR	1
43	900043	CLUTCH PULLEY ASSEMBLY	1
89	900043-1	CIRCLIP INT 62-GB893.1	1
90	900043-2	CIRCLIP EXT 30-GB894.1	1
91	900043-3	DRUM	1
92	900043-4	BEARING 60206-GB276	1
93	900043-5	CENTRIFUGAL LUMP	3
94	900043-6	CLUTCH CENTRE FOR DIESEL	1
		CLUTCH CENTRE FOR PETROL	1
95	900043-7	CLUTCH SPRING	2

# 594501 PARTS BREAKDOWN



<b>ITEM NO.</b>	<b>PART NO.</b>	<b>DESCRIPTION</b>	<b>QUANTITY</b>
111	900081	WATER TANK	1
114	900082	COCK	1
115	900083	SPRING PIPE	1
116	900084	PIPE HOLDER (L)	1
117	900085	PIPE HOLDER (R)	1
118	900086	BOLT m8X30-GB5783	2
119	900087	WASHER 8-GB95	2
121	900088	CAP WATER TANK	1
122	900089	BOLT M10X30-GB5783	1
123	900090	WASHER 10-GB95	2
124	900091	NYLON NUT M10-GB170	2