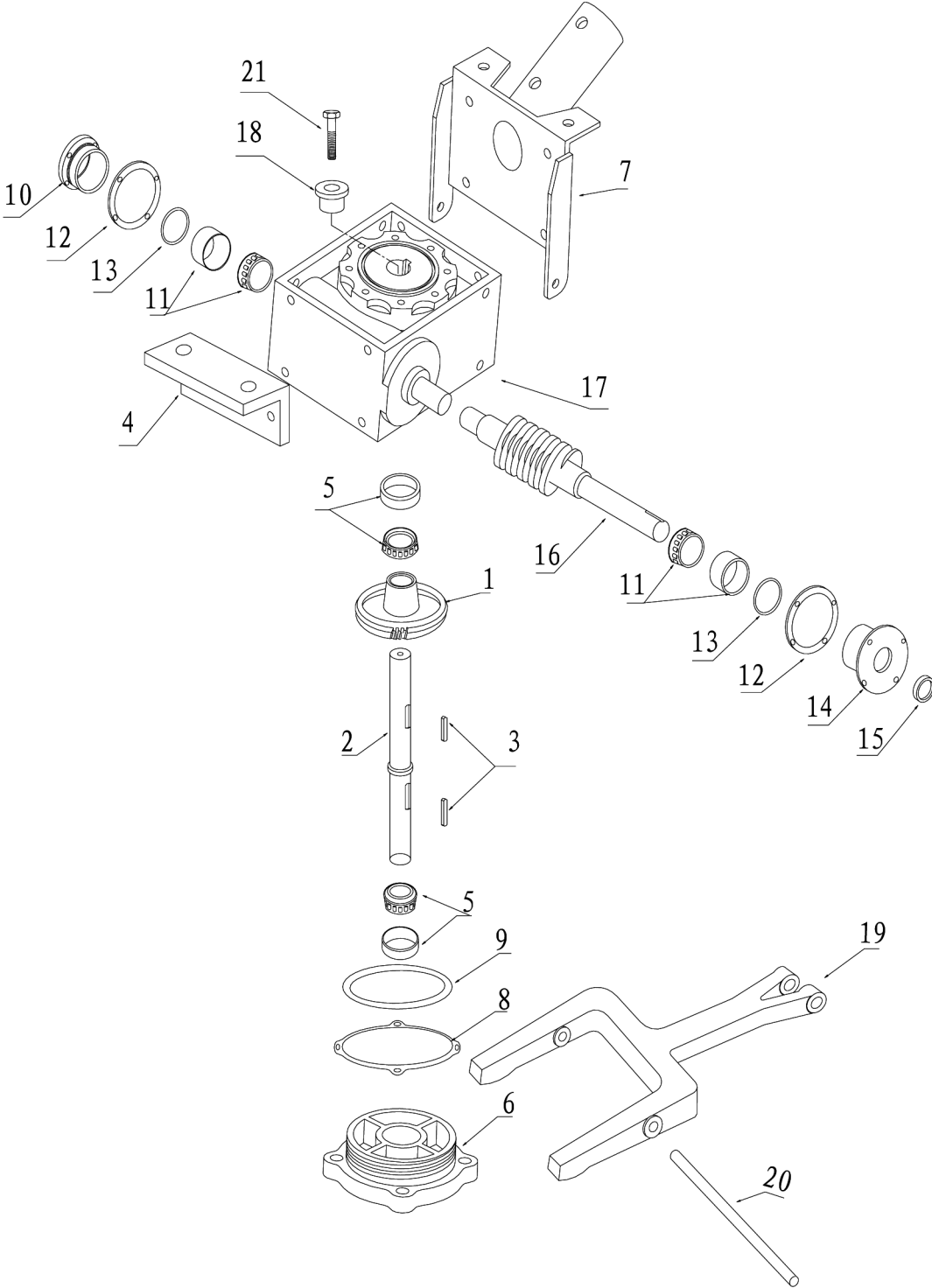


594509

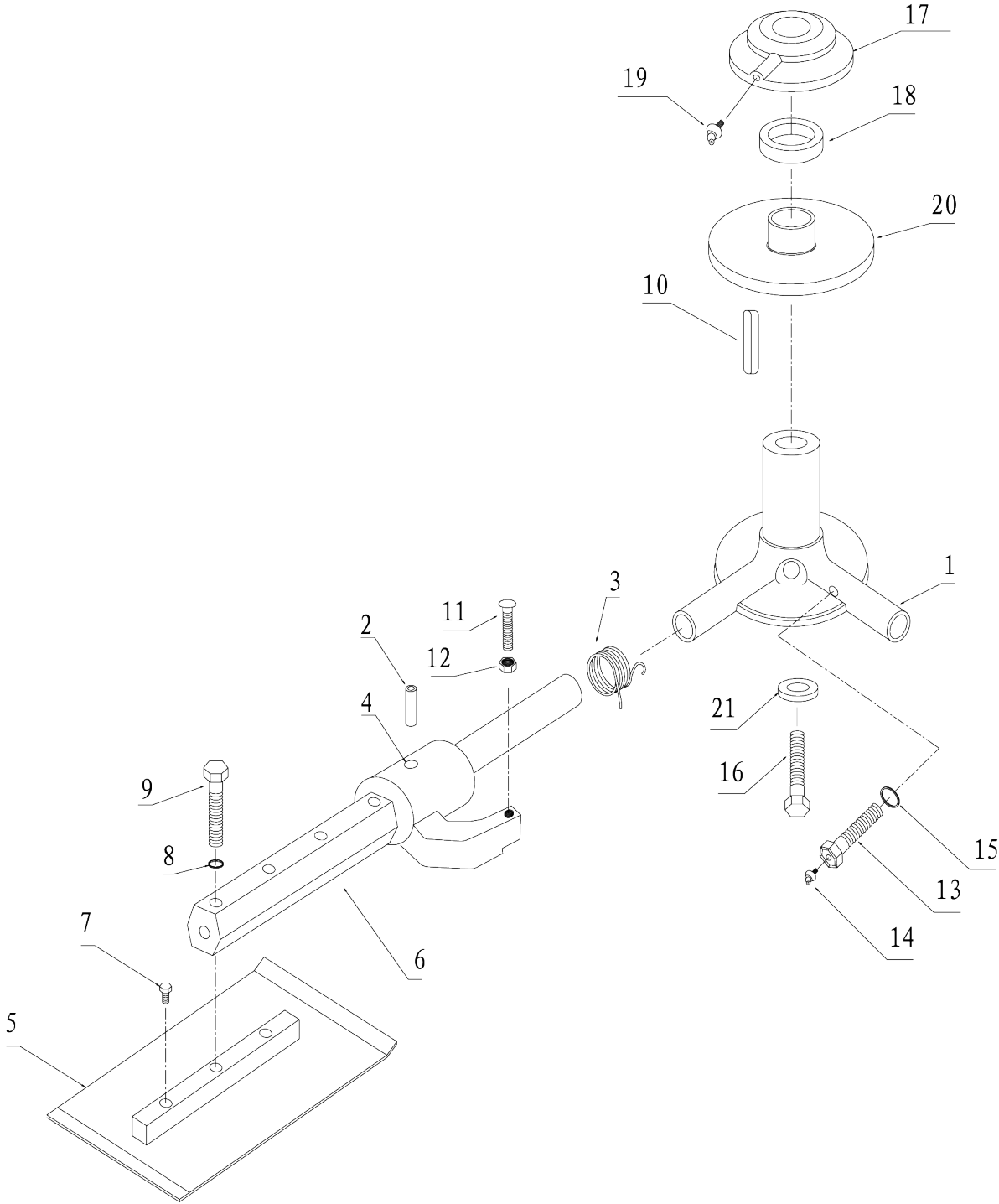
PARTS BREAKDOWN



<b>No.</b>	<b>Parts No.</b>	<b>Name</b>	<b>Qty</b>	<b>Remark</b>
1	71001	Worm Wheel	1	
2	71003	Output Axis	1	
3	89640	Flat key	2	
4	89206	Standing Part	1	
5	71006	Bearing	2	
6	88150	Box Cover	1	
7	71008	Lever Backstop	1	
8	88014	Box Top Cushion	1	
9	71012	“O” Cushion	1	
10	89204	Bearing Cover	1	
11	71014	Bearing	2	
12	88058	Bearing Cover Cushion	2	
13	71017	“O” Ring	2	
14	88140	Bearing Cover	1	
15	71019	Oil Seal	1	
16	71020	Worm Rod	1	
17	71021	Box Base	1	
18	81121	Bush	1	
19	71024	Fork	1	
20	71025	Bearing pin	1	
21	89650	Bolt M8x35	1	

594509

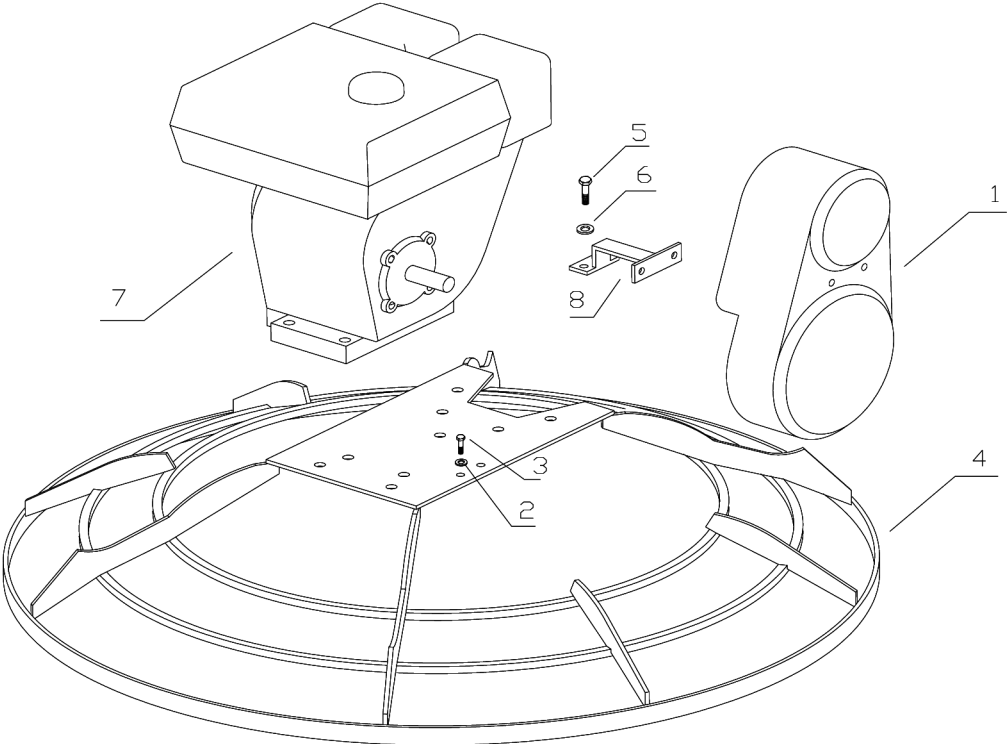
PARTS BREAKDOWN



No.	Parts no.	Name	Qty	Remarks
1	72001	Base Plate	1	
2	72002	Snapbolt $\phi$ 6X45	8	
3	72003	Torsional Spring	4	
4	72004	Bearing Block	4	
5	77000	Blade	4	
6	72006	Connecting Rod	4	
7	81082	Hexagon Bolt	4	
8	80081	Spring Cushion Ring	12	
9	81084	Hexagon Bolt M8 X 45	8	
10	89650	Lock of axis M10X45	4	
11	72011	Adjusting Bolt	4	
12	80107	Adjusting Bolt	4	
13	72013	Tie-in	4	
14	87010	Butter Spigot	4	
15	80081	Spring Bolt	1	
16	82102	Fixed Bolt	1	
17	72017	Bearing Cover	1	
18	89113	Bearing	1	
19	87011	Butter Spigot	1	
20	72020	Bearing Base	1	
21	720021	Cushion Ring	1	

594509

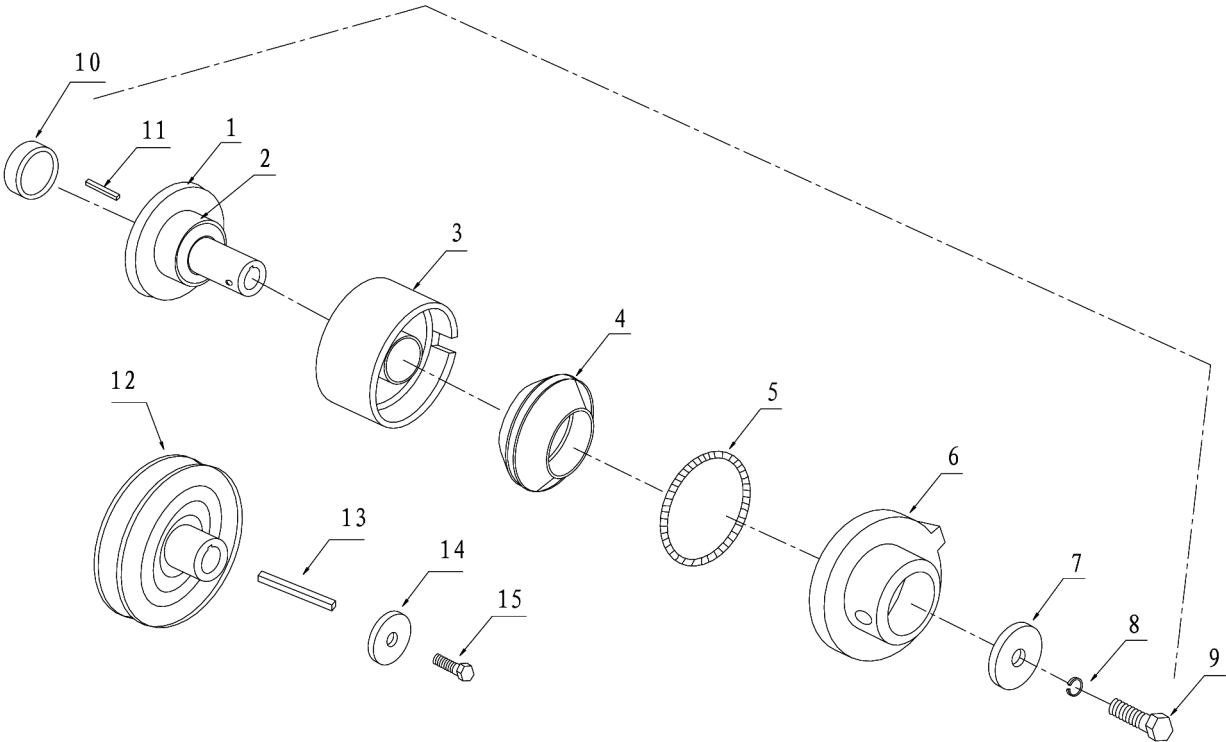
PARTS BREAKDOWN



<b>No.</b>	<b>Parts no.</b>	<b>Name</b>	<b>Qty</b>	<b>Remarks</b>
1	73006	Belt Cover	1	
2	80081	Spring Gasket	6	
3	80083	Locknut	6	
4	73004	Shield	1	
5	81081	Hexagonal Bolt	2	
6	80082	Flat Gasket	4	
7	80160	Engine	1	
8	80162	Standing Base	1	

594509

PARTS BREAKDOWN

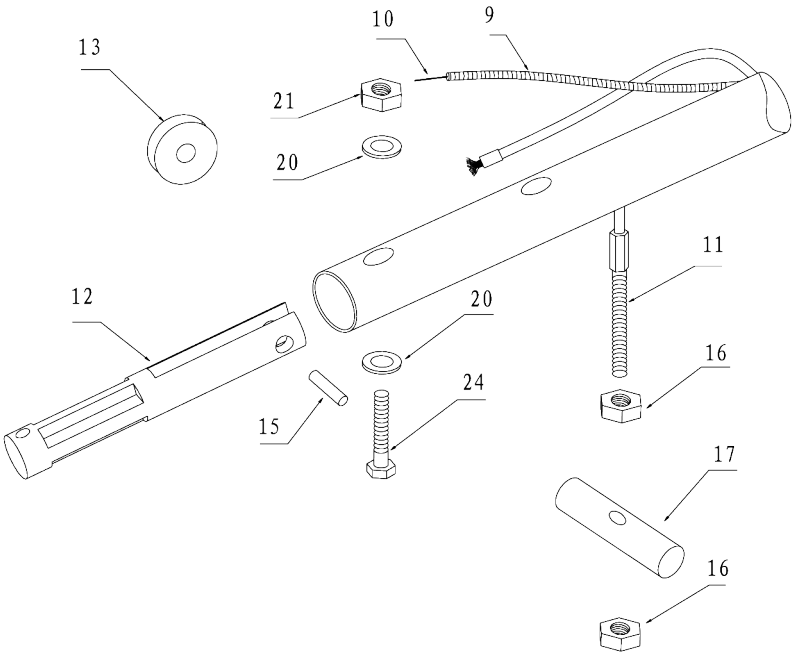
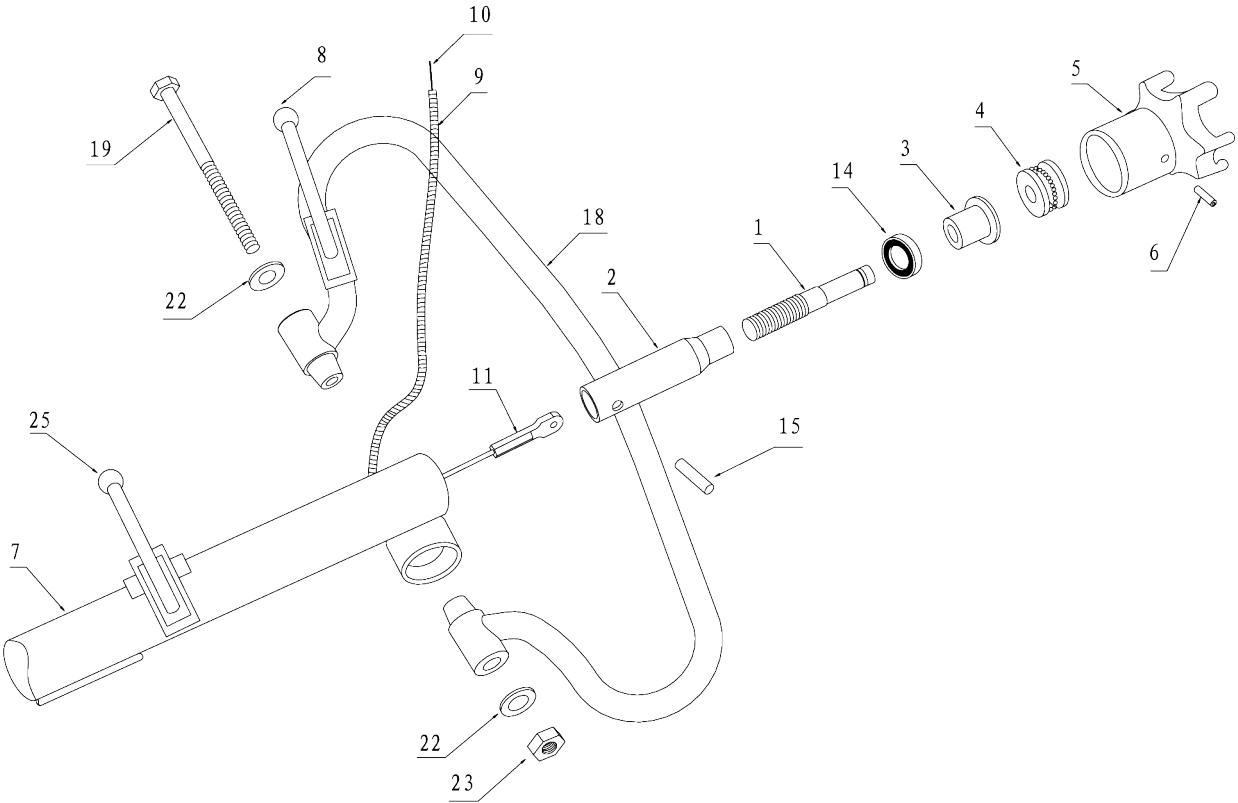


No.	Parts no.	Name	Qty	Remarks
1	75001	Core axis	1	
2	89107	Bearing	1	
3	75004	Clutch belt wheel	1	
4	75005	Attrition Block	1	
5	75006	Pulling Spring	1	
6	75007	Block Ring	1	
7	82103	Gasket	1	
8	75000	Gasket	1	
9	14016	Bolt M8X30	1	
10	80081	Bush	2	
11	81083	Lock of axis	1	
12	75008	Strap Wheel	1	
13	89641	Flat key	1	
14	76016	Cushion Ring	1	
15	89625	Bolt M8X30	1	



594509

PARTS BREAKDOWN



No.	Parts no.	Name	Qty	Remarks
1	70140	Adjusting Screw	1	
2	74002	Active Bolt	1	
3	89104	Nylon Axletree Ring	1	
4	74004	Complanate Bearing	1	
5	74005	Handwheel	1	
6	82061	Spring Dowel	1	
7	74006	Handling Rod	1	
8	74008	Accelerator Switch	1	
9	74009	Rope Cover	1	
10	74010	Rope	1	
11	74011	Blade Adjusting Rope	1	
12	74012	Knighthead	1	
13	74013	Pulley	1	
14	89631	Bearing	1	
15	89630	Column Dowel	1	
16	80051	Nut	2	
17	81052	Axis pin	2	
18	74019	Arm Rest	1	
19	81102	Hexagonal Bolt	1	
20	80102	Flat Gasket	2	
21	80103	Locknut	2	
22	80052	Flat Cushion	2	
23	74029	Locknut	1	
24	81107	Bolt	1	
25	74025	Switch	1	