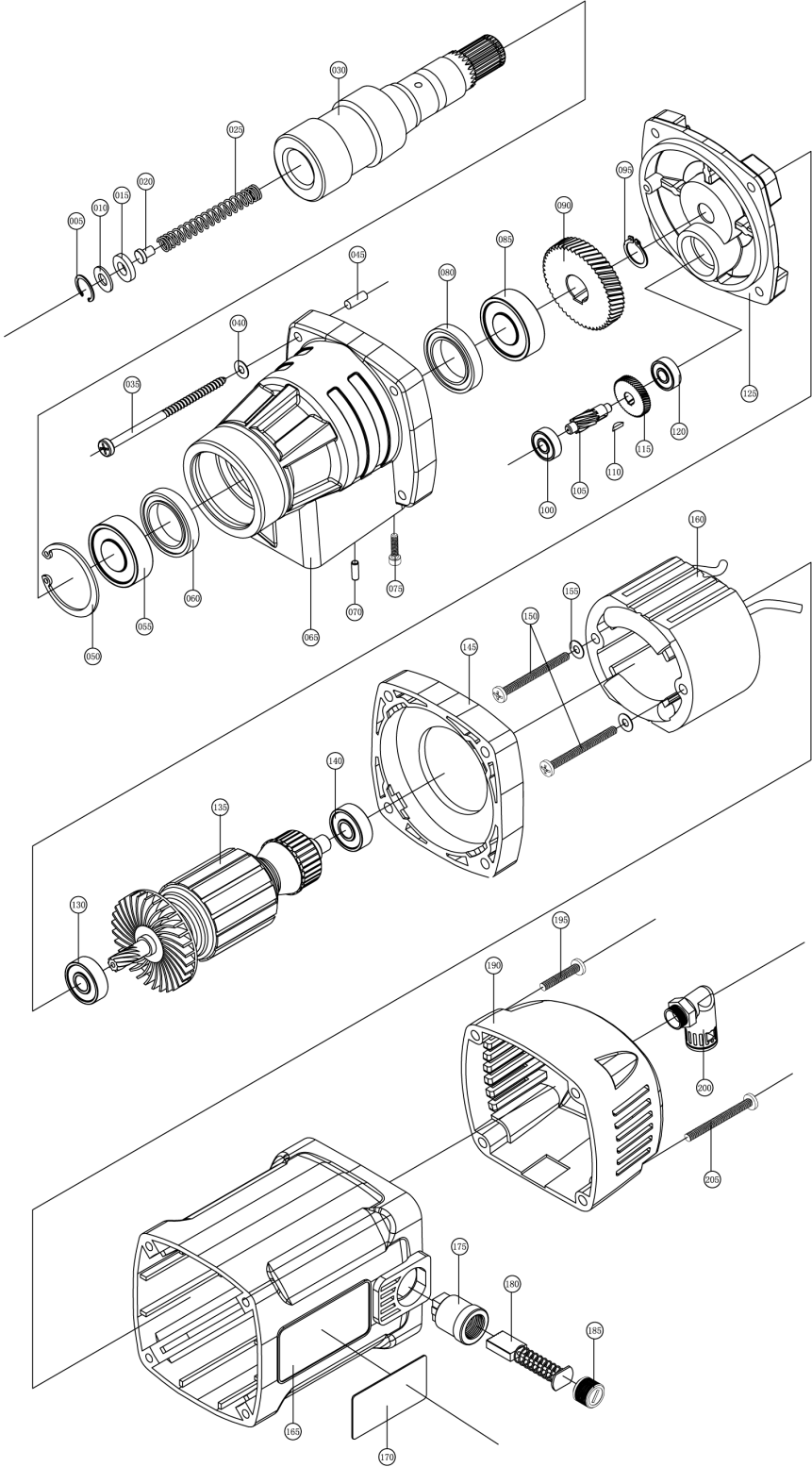


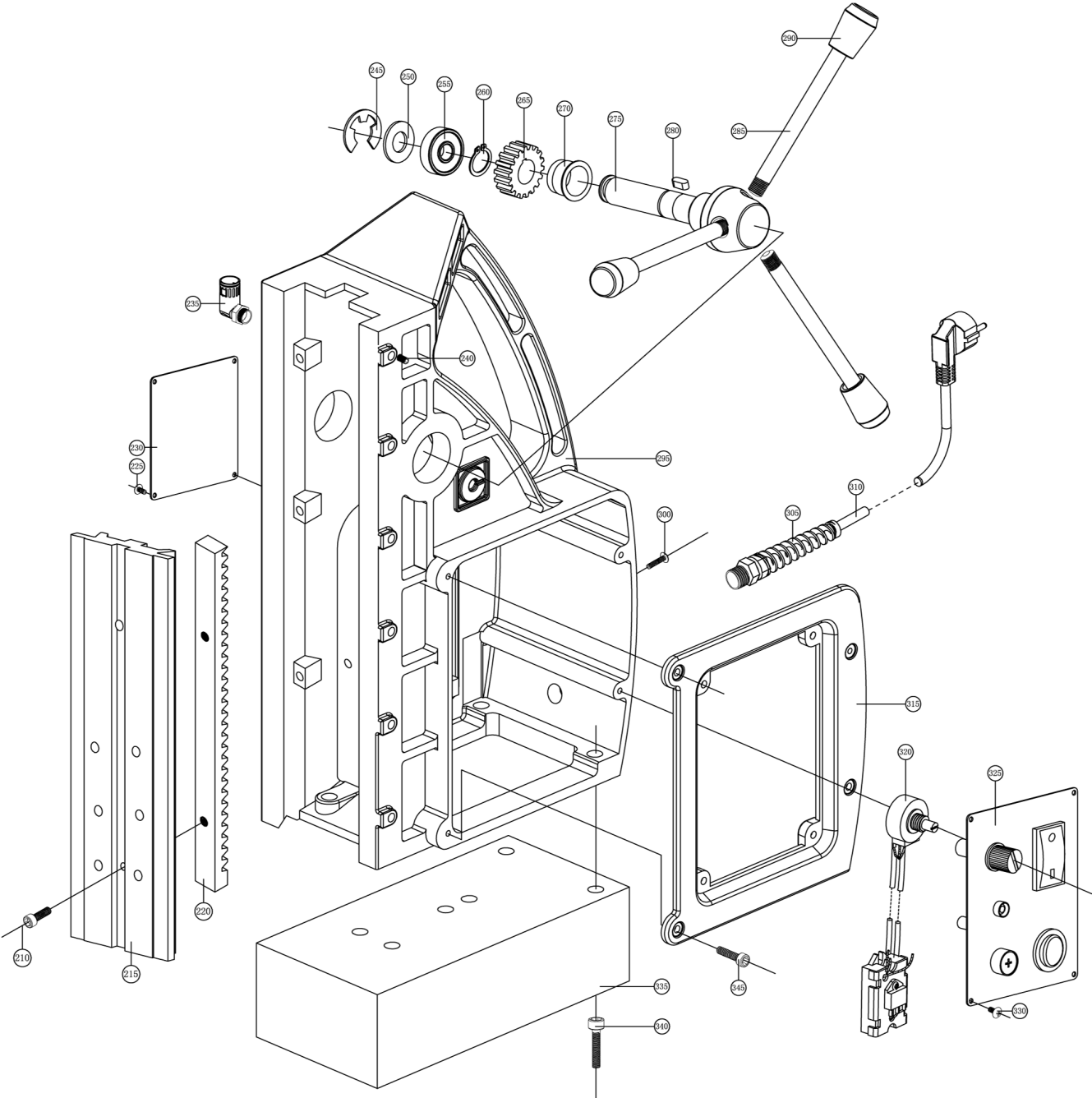
595983

PARTS BREAKDOWN



595983

PARTS BREAKDOWN



Item Code	Alternate Code	Extended Description
510168	595983-005	Magnetic base core drill 32mm Circlip 595983-005
510169	595983-010	Magnetic base core drill 32mm Gasket 595983-010
510170	595983-015	Magnetic base core drill 32mm Rubber rings 595983-015
510171	595983-020	Magnetic base core drill 32mm Top Key 595983-020
510172	595983-025	Magnetic base core drill 32mm Spring 595983-025
510173	595983-030	Magnetic base core drill 32mm Spindle 595983-030
510177	595983-050	Magnetic base core drill 32mm Circlip 595983-050
510178	595983-055	Magnetic base core drill 32mm Bearing 6905 595983-055
510179	595983-060	Magnetic base core drill 32mm Oil Seal 32/22/7 595983-060
510180	595983-065	Magnetic base core drill 32mm Gearbox 595983-065
510183	595983-080	Magnetic base core drill 32mm Oil Seal 32/22/7 595983-080
510184	595983-085	Magnetic base core drill 32mm Bearing 6904 595983-085
510185	595983-090	Magnetic base core drill 32mm Large flat 595983-090
510186	595983-095	Magnetic base core drill 32mm Circlip 595983-095
510187	595983-100	Magnetic base core drill 32mm Bearing 608 595983-100
510188	595983-105	Magnetic base core drill 32mm Rotor pinion 595983-105
510189	595983-110	Magnetic base core drill 32mm Pin 595983-110
510190	595983-115	Magnetic base core drill 32mm Flat rotor teeth 595983-115
510191	595983-120	Magnetic base core drill 32mm Bearing 608 595983-120
510192	595983-125	Magnetic base core drill 32mm Intermediate cover 595983-125
510193	595983-130	Magnetic base core drill 32mm Bearing 6000 595983-130
510194	595983-135	Magnetic base core drill 32mm Rotor 595983-135
510195	595983-140	Magnetic base core drill 32mm Bearing 608 595983-140
510196	595983-145	Magnetic base core drill 32mm Wind circle 595983-145
510199	595983-160	Magnetic base core drill 32mm Stator 595983-160
510200	595983-165	Magnetic base core drill 32mm Stator shell 595983-165
510202	595983-175	Magnetic base core drill 32mm Brush nest 595983-175
510203	595983-180	Magnetic base core drill 32mm Brush 595983-180
510204	595983-185	Magnetic base core drill 32mm Brush Cover (pair) 595983-185
510205	595983-190	Magnetic base core drill 32mm Cover 595983-190
510207	595983-200	Magnetic base core drill 32mm Hose fittings 595983-200
510210	595983-215	Magnetic base core drill 32mm Lift aluminum 595983-215
510211	595983-220	Magnetic base core drill 32mm Rack 595983-220
510213	595983-230	Magnetic base core drill 32mm Rear panel 595983-230
510214	595983-235	Magnetic base core drill 32mm Hose fittings 595983-235

510220	595983-265	Magnetic base core drill 32mm Lifting gear 595983-265
510221	595983-270	Magnetic base core drill 32mm Composite bearings 595983-270
510222	595983-275	Magnetic base core drill 32mm Lift shaft 595983-275
510223	595983-280	Magnetic base core drill 32mm Pin 595983-280
510224	595983-285	Magnetic base core drill 32mm Lift rocker 595983-285
510225	595983-290	Magnetic base core drill 32mm Handle Knob 595983-290
510228	595983-305	Magnetic base core drill 32mm Anti-bending joints 595983-305
510231	595983-320	Magnetic base core drill 32mm Speed governor 595983-320
510232	595983-325	Magnetic base core drill 32mm Front panel assembly 595983-325
510234	595983-335	Magnetic base core drill 32mm Magnetic Disk 595983-335

NO.	中文品名	Parts Name	Q'TY
005	卡簧	Circlip	1
010	垫片	Gasket	1
015	橡胶圈	Rubber rings	1
020	顶键	Top Key	1
025	弹簧	Spring	1
030	主轴	Spindle	1
035	十字螺丝M5X55	Phillips screws M5X55	4
040	平垫	Flat pad	4
045	销子4X12	Pin 4X12	1
050	卡簧	Circlip	1
055	轴承6905	Bearing 6905	1
060	油封32/22/7	Oil Seal 32/22/7	1
065	齿轮箱	Gearbox	1
070	销子5X14	Pin 5X14	2
075	内六角螺丝M5X20	Hex Socket Screws M5X20	4
080	油封32/22/7	Oil Seal 32/22/7	1
085	轴承6904	Bearing 6904	1
090	大平板	Large flat	1
095	卡簧	Circlip	1
100	轴承608	Bearing 608	1
105	转子齿轴	The rotor pinion	1
110	销子	Pin	1
115	转子齿平板	Flat rotor teeth	1
120	轴承608	Bearing 608	1
125	中间盖	Intermediate cover	1
130	轴承6000	Bearing 6000	1
135	转子	Rotor	1
140	轴承608	Bearing 608	1
145	挡风圈	Wind circle	1
150	十字螺丝M5X55	Phillips screws M5X55	2
155	平垫	Flat pad	2
160	定子	Stator	1
165	定子壳	The stator shell	1
170	商标牌	Trademark licensing	1
175	刷窝	Brush nest	2
180	电刷	Brush	2
185	刷盖	Brush Cover	2
190	顶盖	Cover	1
195	自攻螺丝M5X30	Self-tapping screws M5X30	2
200	软管接头	Hose fittings	1
205	自攻螺丝M5X45	Self-tapping screws M5X45	2
210	内六角螺丝M6X18	Hex Socket Screws M6X18	2
215	升降铝板	Lift aluminum	1
220	齿条	Rack	1
225	圆机十字螺丝M3X6	Round machine screws M3X6 Phillips	4
230	后面板	The rear panel	1
235	软管接头	Hose fittings	1
240	紧定内六角M5X8	Tight hexagonal M5X8	5
245	E字卡	E word cards	1
250	平垫	Flat pad	1
255	轴承6903#	Bearing 6903 #	1
260	卡簧	Circlip	1
265	升降齿轮	Lifting gear	1
270	复合轴承	Composite bearings	1
275	升降轴	Lift shaft	1
280	销子	Pin	1
285	升降摇杆	Lift rocker	3
290	把手	Handle	3
295	机架	Frame	1
300	圆头内六角螺丝M4X16	Hexagon Screw M4X16 the Round	1
305	防折弯接头	Anti-bending joints	1
310	电源线	Power line	1
315	面板框	Panel frame	1
320	调速器	Speed governor	1
325	前面板总成	The front panel assembly	1
330	圆机十字螺丝M3X6	A round screws M3X6 Phillips	4
335	磁盘	Magnetic Disk	1
340	内六角螺丝 (M6X30-2 , M6*50-2)	Hex Socket Screws (M6X30-2, M6 * 50-2)	4
345	内六角螺丝M4M16	Hex Socket Screws M4M16	4