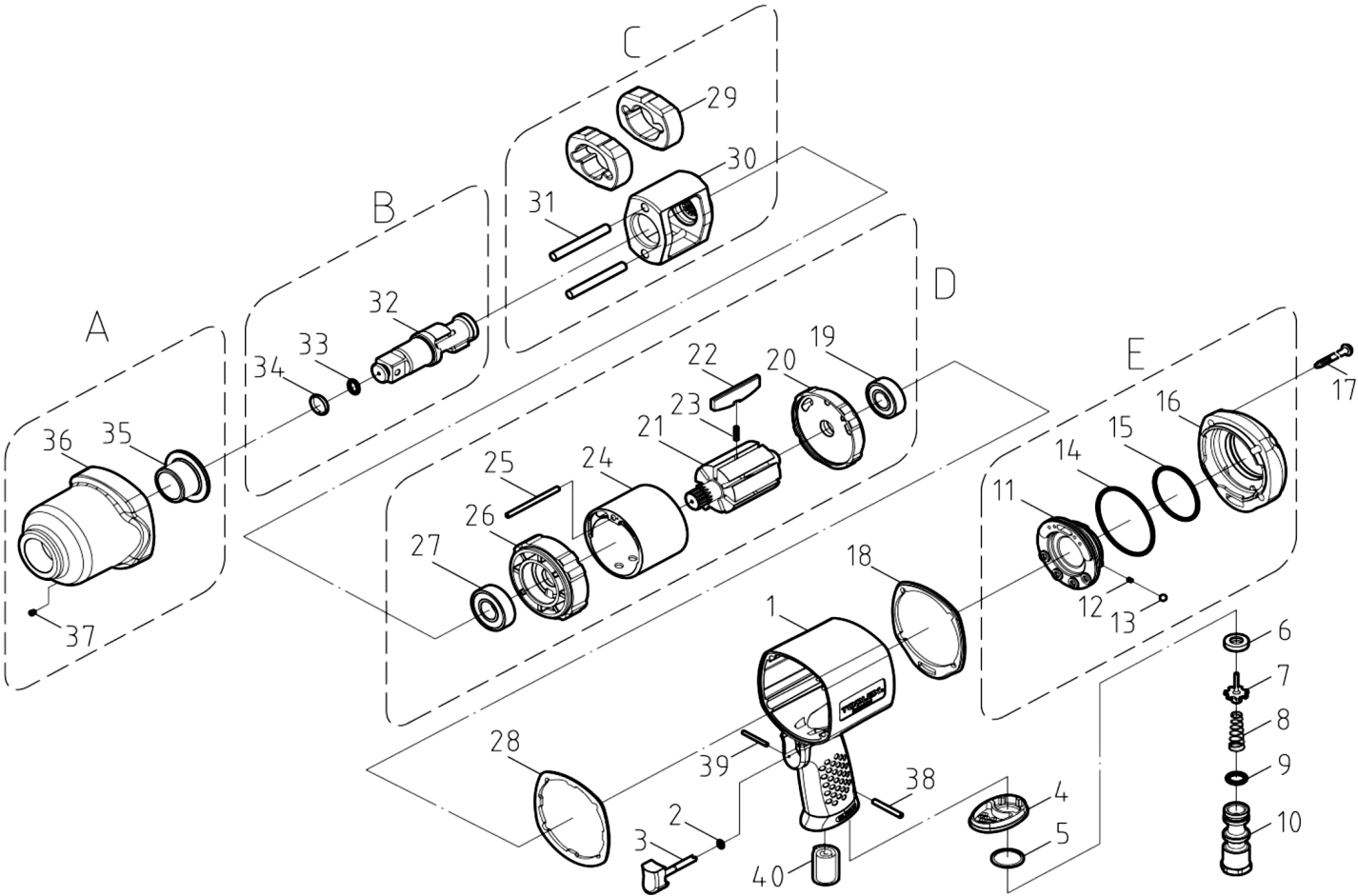


595985

PARTS BREAKDOWN



595985

NO.	CODE NO.	PARTS NAME (ENG)	Q'TY	NO.	CODE NO.	PARTS NAME (ENG)	Q'TY
1	001011077-4	Housing	1	26	015011077	Front Plate	1
2	OR3510	O-Ring	1	27	BR6203ZZ	Ball Bearing	1
3	030021063	Trigger	1	28	061011077	Packing	1
4	004011063	Exhaust Deflector	1	29	022011077	Hammer	2
5	016011063	Washer	1	30	020011077	Hammer Cage	1
6	SL005	Oil Seal	1	31	023011077	Hammer Pin	2
7	010011077	Pin Valve Rod	1	32	025011077	Anvil	1
8	002011077	Cone Spring	1		025021077	Anvil	1
9	ORAS114	O-Ring	1	33	ORAS112	O-Ring	1
10	005011077-2	Air Inlet	1	34	069011035	Anvil Collar	1
11	031021077-5	Reverse Lever	1	35	026011077	Bushing	1
12	007021027	Spring	1	36	027011077-6	Front Casing	1
13	SB1/8	Steel Ball	1	37	OD03	Oil Drop	1
14	ORS63	O-Ring	1	38	SP3024-2	Spring Pin	1
15	ORS45	O-Ring	1	39	SP2020	Spring Pin	1
16	071011077-3	Cover	1	40	003011063	Muffler Filter	1
17	049011077	Screw	4				
18	061021077	Packing	1				
19	BR6202ZZ	Ball Bearing	1				
20	011011077	Rear Plate	1				
21	013011077	Rotor	1				
22	014011077	Blade	6				
23	007011077	Spring	6				
24	012011077	Cylinder	1				
25	SP4060	Spring Pin	1				

Made in Taiwan (2014.2.14)