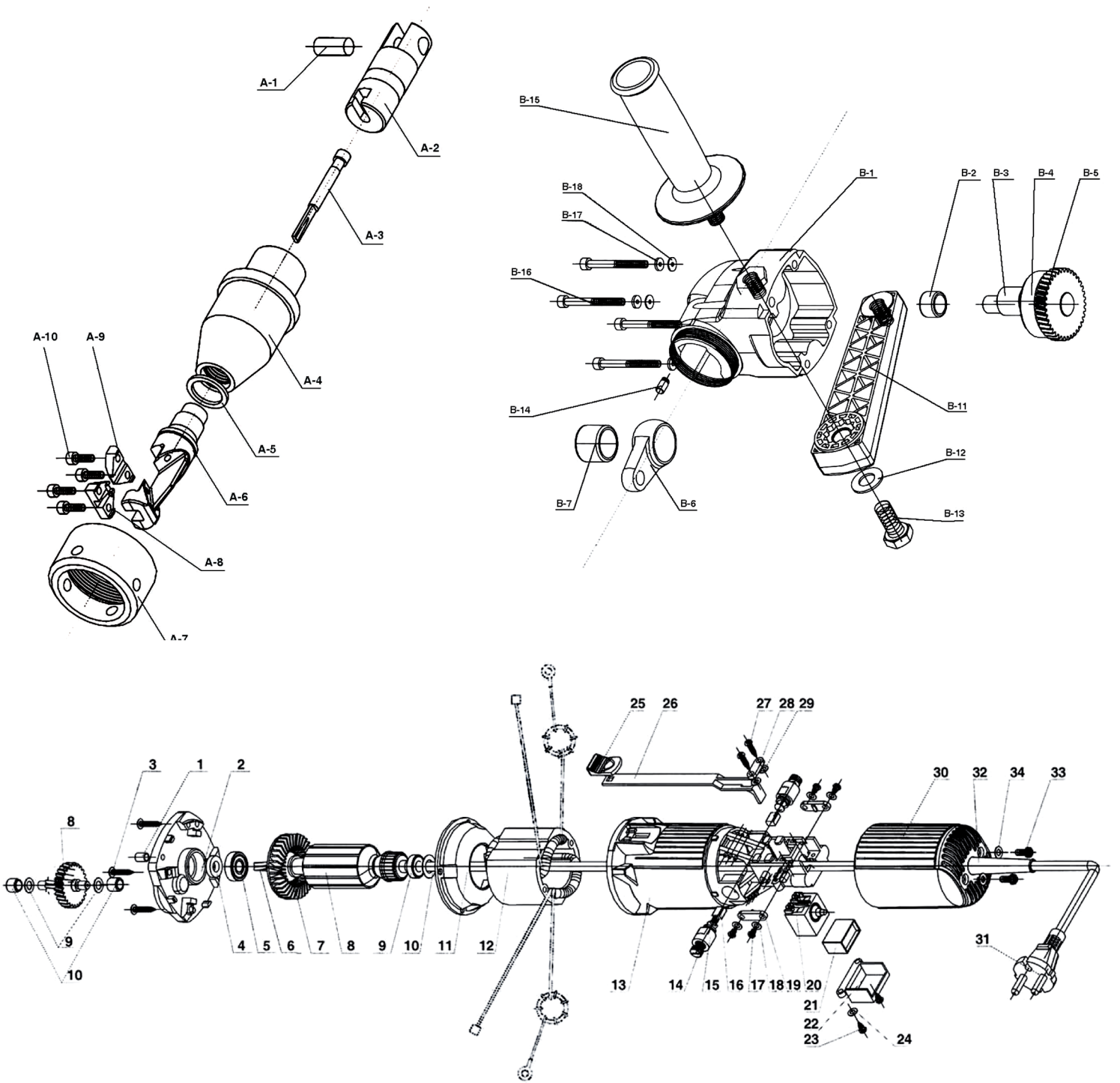


596702 PARTS BREAKDOWN



PART NUMBER	PRODUCT DESCRIPTION
596906	Round Punch & Die Assembly Includes 2 X Punches & 1 X Die to Suit Toolex 2.5MM Nibbler
596907	Square Punch & Die Assembly Includes 2 X Punches & 1 X Die to Suit Toolex 4.0MM Nibbler
596942	Srew M5 X 12MM To Suit 2.5MM & 4.0MM Toolex Nibblers
596943	Flat Washer 5B To Suit 2.5MM & 4.0MM Toolex Nibblers
596944	Bushing To Suit 2.5MM & 4.0MM Toolex Nibblers
596945	Motor Housing Rear Cover To Suit 2.5MM & 4.0MM Toolex Nibblers
596946	Flat Washer 4B To Suit 2.5MM & 4.0MM Toolex Nibblers
596947	Pressure Lines To Suit 2.5MM & 4.0MM Toolex Nibblers
596948	PH Self Tapping Screws To Suit 2.5MM & 4.0MM Toolex Nibblers
596949	Switch Bar Arm To Suit 2.5MM & 4.0MM Toolex Nibblers
596950	Switch Control Button To Suit 2.5MM & 4.0MM Toolex Nibblers
596951	Flat Washer 4B To Suit 2.5MM & 4.0MM Toolex Nibblers
596952	PH Self Tapping Screws 3.7 X 15MM To Suit 2.5MM & 4.0MM Toolex Nibblers
596953	Capacitor Cover To Suit 2.5MM & 4.0MM Toolex Nibblers
596955	Capacitors To Suit 2.5MM & 4.0MM Toolex Nibblers
596956	Switch To Suit 2.5MM & 4.0MM Toolex Nibblers
596957	Pressure Lines To Suit 2.5MM & 4.0MM Toolex Nibblers
596958	Flat Washer 4B To Suit 2.5MM & 4.0MM Toolex Nibblers
596959	PH Self Tapping Screws 3.7 X 15MM To Suit 2.5MM & 4.0MM Toolex Nibblers
596960	Carbon Brushes Pair To Suit 2.5MM & 4.0MM Toolex Nibblers
596961	Carbon Brush Frame To Suit 2.5MM & 4.0MM Toolex Nibblers
596962	Nibblers
596963	Motor Housing To Suit 2.5MM & 4.0MM Toolex Nibblers
596964	Stator / Field To Suit 2.5MM & 4.0MM Toolex Nibblers
596965	Choke Cover To Suit 2.5MM & 4.0MM Toolex Nibblers
596966	Anti Oil Ring To Suit 2.5MM & 4.0MM Toolex Nibblers
596967	Rotor / Armature With Bearings & Fan To Suit 2.5MM & 4.0MM Toolex Nibblers
596968	Nibblers
596969	Plastic Ring To Suit 2.5MM & 4.0MM Toolex Nibblers
596970	Motor Side Housing To Suit 2.5MM & 4.0MM Toolex Nibblers
596971	Shell Orientation Sets To Suit 2.5MM & 4.0MM Toolex Nibblers
596972	Nibblers
596973	Double L Pinion Z3 To Suit 2.5MM & 4.0MM Toolex Nibblers
596974	Flat Washer 7B To Suit 2.5MM & 4.0MM Toolex Nibblers
596975	Nibblers
596976	Helical Gear Z2 To Suit 2.5MM & 4.0MM Toolex Nibblers
596977	Bearing 6303-ZE To Suit 2.5MM & 4.0MM Toolex Nibblers
596978	Eccentric Shaft To Suit 2.5MM & 4.0MM Toolex Nibblers
596979	Nibblers
596980	Flat Washer 12B To Suit 2.5MM & 4.0MM Toolex Nibblers
596981	Bolt M12 X 25MM To Suit 2.5MM & 4.0MM Toolex Nibblers
596982	Auxilliary Side Handle To Suit 2.5MM & 4.0MM Toolex Nibblers
596983	Gear Housing To Suit 2.5MM & 4.0MM Toolex Nibblers
596984	Connecting Bar To Suit 2.5MM & 4.0MM Toolex Nibblers
596985	Nibblers
596986	Piston Pin Block To Suit 2.5MM & 4.0MM Toolex Nibblers
596878	Flat Washer 5B To Suit 2.5MM & 4.0MM Toolex Nibblers
596988	Spring Washer 5MM To Suit 2.5MM & 4.0MM Toolex Nibblers
596989	Socket Head Cap Screw M5X50MM To Suit 2.5MM & 4.0MM Toolex Nibblers
596990	Dust Cover To Suit 2.5MM & 4.0MM Toolex Nibblers
596991	Fixed Handle To Suit 2.5MM & 4.0MM Toolex Nibblers
596992	Piston Pin To Suit 2.5MM & 4.0MM Toolex Nibblers
596993	Piston To Suit 2.5MM & 4.0MM Toolex Nibblers
596994	Piston Seat To Suit 2.5MM & 4.0MM Toolex Nibblers
596995	Copper Washers To Suit 2.5MM & 4.0MM Toolex Nibblers
596996	Large Die Holding Nut To Suit 2.5MM & 4.0MM Toolex Nibblers