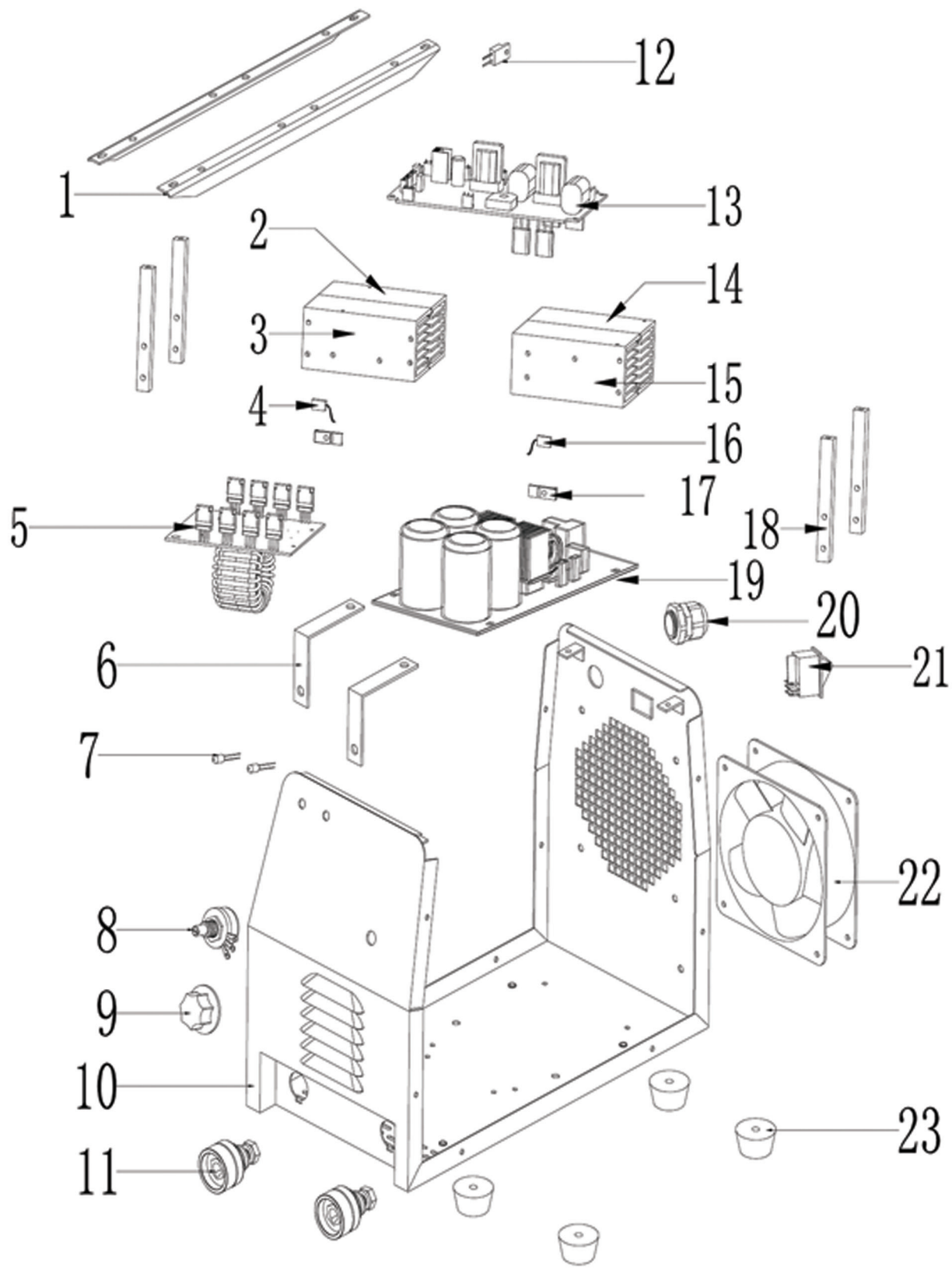


597073

PARTS BREAKDOWN



Component	Item Description
<u>500106</u>	Complete Set Of Nuts & Bolts T To Suit 511186 Demolition Floor Trolley
<u>500102</u>	Regulating Handle To Suit 511186 Demolition Floor Trolley
<u>500105</u>	Gas Rod Strut To Suit 511186 Demolition Floor Trolley
<u>500103</u>	Bracing Wire To Suit 511186 Demolition Floor Trolley
<u>500104</u>	Wheel To Suit 511186 511184 Demolition Floor Trolley
<u>500101</u>	Handle Glove To Suit 511186 Demolition Floor Trolley

Partlist of ADVNA ARC 160X(606006280)					
Item	Code	Name	Description	Unit	Qty
1	205016023	Beam		PCS	2
2	301004226	Radiator	SLQ-170	PCS	1
3	301004227	Radiator	SLQ-171	PCS	1
4	303021060	Thermostat	JUC-31F-75H	PCS	1
5	2.02E+09	Rectifier PCB	EP10060024-5	PCS	1
6	206002134	Copper bar	56+18*15*2mm	PCS	2
7	303022002	Indicator	5AG3HD(5R4HD	PCS	1
7	303022003	Indicator	5AY3UD(5R4HD)	PCS	1
8	303002036	Potentiometer	2W/1K	PCS	1
9	303028013	knob	RN-99E/φ6.4	PCS	1
10	205013291	Base cover		PCS	1
12、16	303021064	Thermostat	JUC-31F-85H	PCS	1
11	301008117	Speed socker	10-25	PCS	2
13	2.02E+09	Control PCB	EP10060023-4(FGH40N60SFD)	PCS	1
14	301004225	Radiator	SLQ-169	PCS	1
15	301004228	Radiator	SLQ-172	PCS	1
18	305002240	Epoxy striip	82*12*10mm	PCS	4
19	202000609	Power PCB	EP10060025-1	PCS	1
20	305006024	Line card	PG-11	PCS	1
21	303017131	Power switch	R515KKFTOFH	PCS	1
22	303023067	Fan	Y-Y9225H24B	PCS	1
23	305007051	Rubber feet	5 #	PCS	4