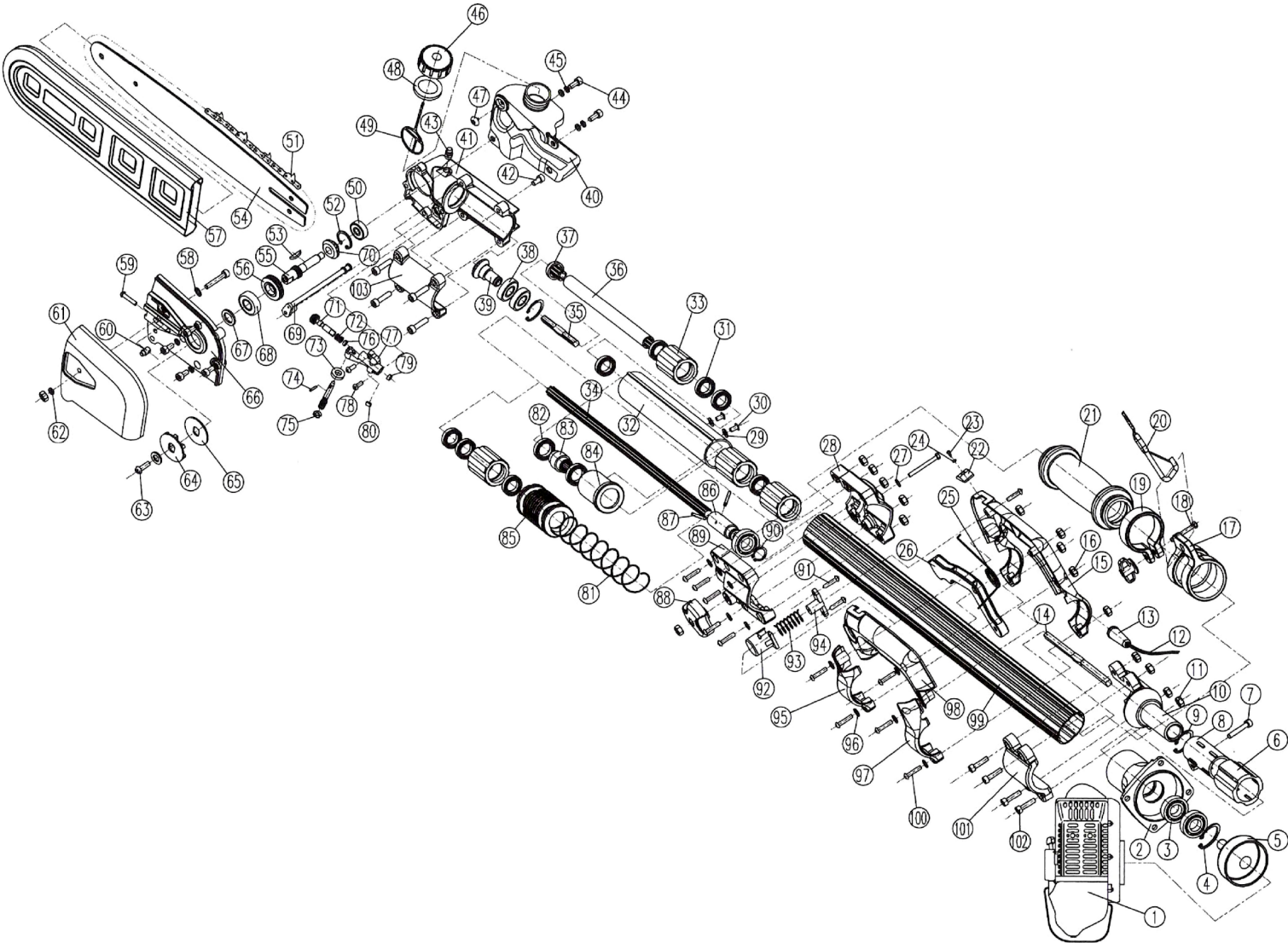


597471

PARTS BREAKDOWN



NO.	NAME	NO.	NAME	NO.	NAME
1	Engine	41	Holder	81	Support spring
2	Cover	42	Screw	82	Bearing
3	Bearing	43	Cup	83	Cover
4	Stop ring	44	Screw	84	Bearing
5	Cover	45	Shim	85	Cover
6	Washer	46	Cap	86	Rod linker
7	Screw	47	Plug	87	Pin
8	Fastener	48	Washer	88	Button
9	Stop ring	49	Linker	89	Clamp
10	Link	50	Bearing	90	Stop ring
11	Nut	51	Chain	91	Screw ST
12	Pull string	52	Stop ring	92	Button
13	Cover	53	Key	93	Spring
14	Flexible shaft	54	Guide bar	94	Spring bracket
15	Right handle shell	55	Shaft	95	Clamp I
16	Nut	56	Worm wheel	96	Shim
17	Belt fastener	57	Chain cover	97	Clamp II
18	Hex bolt	58	Washer	98	Left handle shell
19	Belt fastener	59	Screw	99	Rod
20	Belt	60	Bolt	100	Screw
21	Handle front	61	Cover board	101	Clamp
22	Switch	62	Washer	102	Screw
23	Screw ST	63	Screw	103	Cover
24	Spring ring	64	Chain wheel		
25	Handle spring	65	Wheel board		
26	Handle	66	Seat		
27	Washer	67	Washer		
28	Link board	68	Bearing		
29	Washer	69	Oil pipe		
30	Nail	70	Wheel		
31	Bearing	71	Oil wheel		
32	Pipe	72	Spring		
33	Bearing bracket	73	Ring		
34	Pipe	74	Pin		
35	Flexible shaft 2	75	Ring		
36	Inner pipe	76	Oil seal		
37	Linker	77	Oil pump		
38	Bearing	78	Screw		
39	Gear	79	Pump nozzle		
40	Oil container	80	Nozzle		