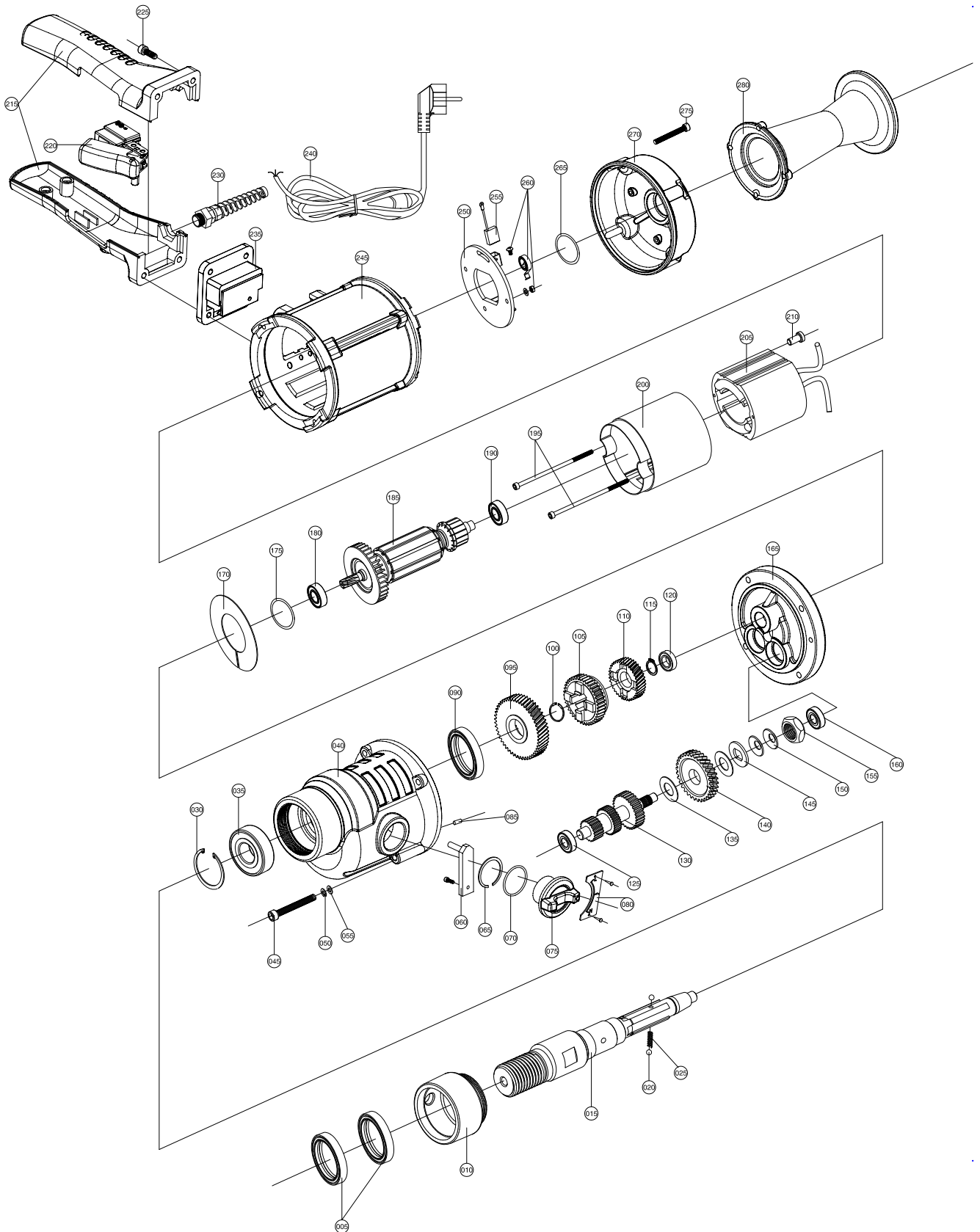


595980 PARTS BREAKDOWN



Item Code	Alternate Code	Extended Description
510237	595980-005	Diamond core drill 200mm Oil Seal 595980-005
510238	595980-015	Diamond core drill 200mm Shaft 595980-015
510239	595980-025	Diamond core drill 200mm Spring 595980-025
510240	595980-035	Diamond core drill 200mm Bearing 595980-035
510243	595980-065	Diamond core drill 200mm Circlip 595980-065
510244	595980-075	Diamond core drill 200mm Dial knob file 595980-075
510246	595980-095	Diamond core drill 200mm Large flat 595980-095
510247	595980-105	Diamond core drill 200mm Medium-speed Flat 595980-105
510248	595980-115	Diamond core drill 200mm Circlip 595980-115
510249	595980-125	Diamond core drill 200mm Bearing 595980-125
510250	595980-135	Diamond core drill 200mm Copper sheet 595980-135
510251	595980-145	Diamond core drill 200mm iron plates 595980-145
510252	595980-155	Diamond core drill 200mm Nuts 595980-155
510253	595980-165	Diamond core drill 200mm Intermediate cover 595980-165
510254	595980-175	Diamond core drill 200mm O-ring 595980-175
510255	595980-185	Diamond core drill 200mm Rotor 595980-185
510257	595980-205	Diamond core drill 200mm Stator 595980-205
510258	595980-215	Diamond core drill 200mm Auxiliary Switch handle 595980-215
510260	595980-235	Diamond core drill 200mm Overload device 595980-235
510261	595980-245	Diamond core drill 200mm stator shell 595980-245
510262	595980-255	Diamond Core Drill 200mm Brushes (Pair) 595980-255
510263	595980-265	Diamond core drill 200mm Next spring 595980-265
510264	595980-275	Diamond core drill 200mm Cover 595980-275
510265	595980-285	Diamond core drill 200mm Shoulder after care 595980-285
510266	595980-010	Diamond core drill 200mm Seal 595980-010
510267	595980-020	Diamond core drill 200mm Ball 595980-020
510268	595980-030	Diamond core drill 200mm Neckar 595980-030
510269	595980-040	Diamond core drill 200mm Gearbox 595980-040
510270	595980-050	Diamond core drill 200mm Shells pad 595980-050
510271	595980-060	Diamond core drill 200mm Dial Stopper 595980-060
510272	595980-070	Diamond core drill 200mm O-ring 595980-070
510273	595980-080	Diamond core drill 200mm Aluminum plates 595980-080
510274	595980-090	Diamond core drill 200mm Oil Seal 595980-090
510275	595980-100	Diamond core drill 200mm Circlip 595980-100
510276	595980-110	Diamond core drill 200mm Fast Flat 595980-110
510277	595980-120	Diamond core drill 200mm Bearing 595980-120
510278	595980-130	Diamond core drill 200mm Clutch shaft 595980-130
510279	595980-140	Diamond core drill 200mm Clutch Flat 595980-140
510280	595980-150	Diamond core drill 200mm Shells pad 595980-150
510281	595980-160	Diamond core drill 200mm Bearing 595980-160
510282	595980-170	Diamond core drill 200mm Wind circle 595980-170
510283	595980-180	Diamond core drill 200mm Bearing 595980-180
510284	595980-190	Diamond core drill 200mm Bearing 595980-190
510285	595980-200	Diamond core drill 200mm Lining 595980-200
510286	595980-210	Diamond core drill 200mm Plastic liner 595980-210
510287	595980-220	Diamond core drill 200mm Switch 595980-220
510288	595980-230	Diamond core drill 200mm Anti-bending joints 595980-230

510290	595980-250	Diamond core drill 200mm Brush holder 595980-250
510292	595980-270	Diamond core drill 200mm O-ring 595980-270
595981	595980-S	Diamond core drill stand suit 595979 595980
597862	595981-03A	Diamond core drill stand adaptor 46mm suit 595979 drill and 595981 Stand